

Pacific Radiator White Edition Series

P/N: CL-W011-AL00WT-B , CL-W012-AL00WT-B , CL-W013-AL00WT-B

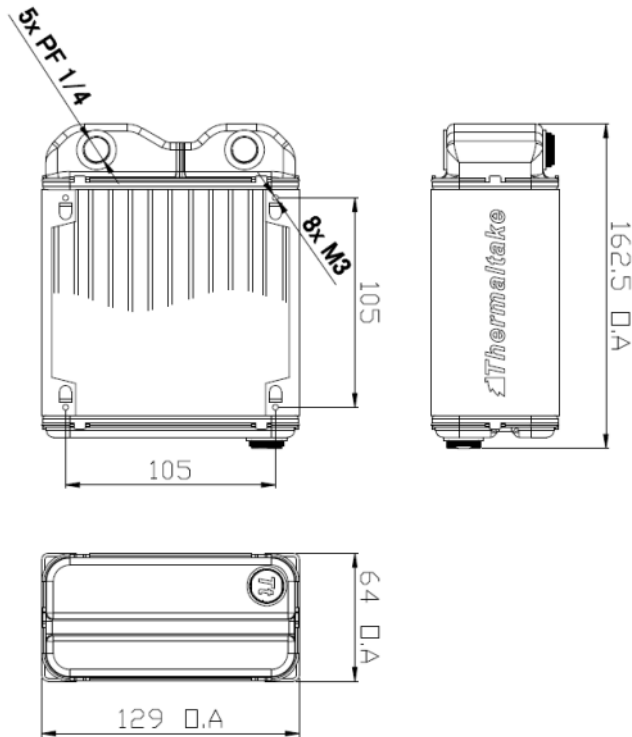
• Features

- Lightweight & Anti-corrosion Aluminum alloy
- Optimal fin density design
- Aerospace & automotive grade materials
- Special engineered ultra-thick form factor
- Dual row flat tube design
- 5 x G1/4 ports



Pacific Radiator White Edition Series

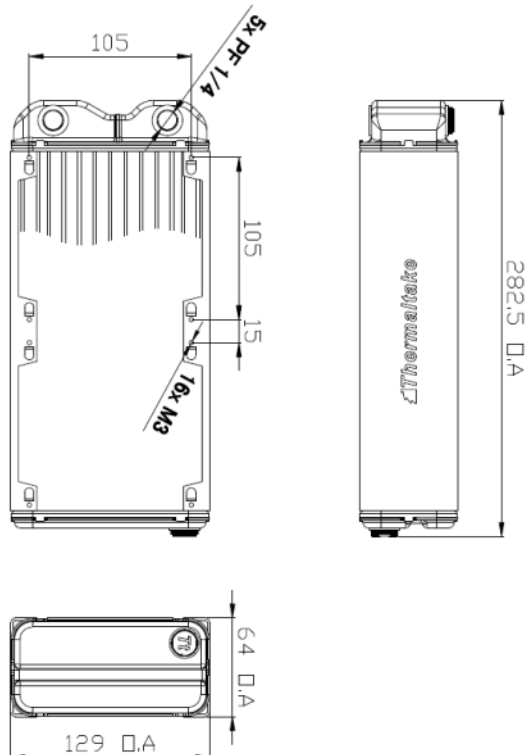
•Dimension



•Specification

P/N	CL-W011-AL00WT-B
Dimension (mm)	162.5 (L) x 129 (W) x 64 (H)
Weight	508 g
Material	Anti-Corrosion Aluminum Alloy
FPI (Fin per inch)	14
Flat Tube	13 set
Screw thread	G 1/4 * 5
Parts	Stopper *3 (G 1/4)

•Dimension



•Specification

P/N	CL-W012-AL00WT-B
Dimension (mm)	282.5 (L) x 129 (W) x 64 (H)
Weight	836 g
Material	Anti-Corrosion Aluminum Alloy
FPI (Fin per inch)	14
Flat Tube	13 set
Screw thread	G 1/4 * 5
Parts	Stopper * 3 (G 1/4)

Pacific Radiator White Edition Series

- Angle View



Top View



Side View



Front View



Rear View



Aluminum alloy fins



Pacific Radiator White Edition Series

• Angle View



Top View



Side View



Front View



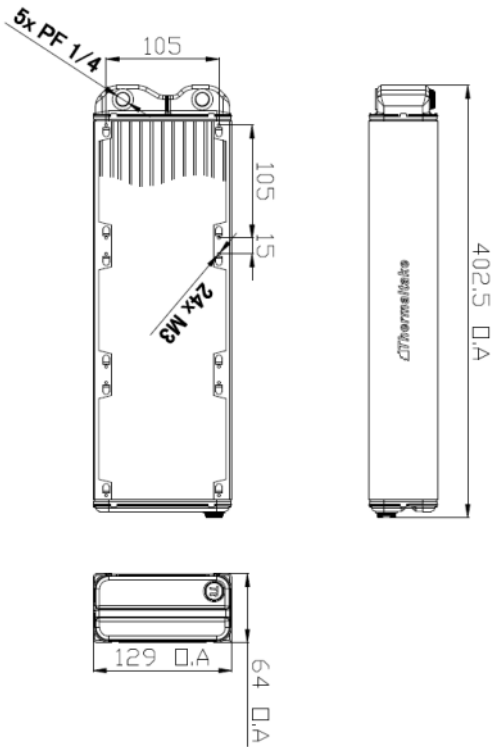
Rear View



Aluminum alloy fins

Pacific Radiator White Edition Series

•Dimension



•Specification

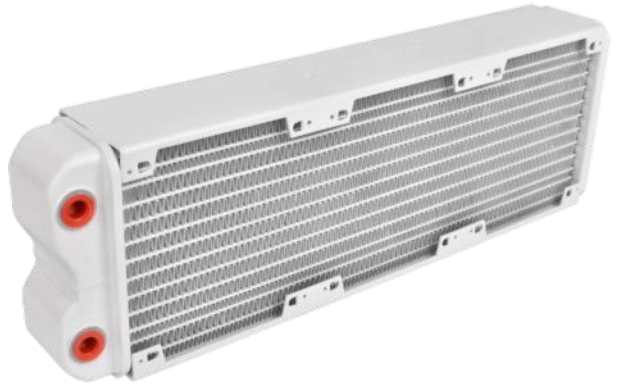
P/N	CL-W013-AL00WT-B
Dimension (mm)	402.5 (L) x 129 (W) x 64 (H)
Weight	1096 g
Material	Anti-Corrosion Aluminum Alloy
FPI (Fin per inch)	14
Flat Tube	13 set
Screw thread	G 1/4 * 5
Parts	Stopper *3 (G 1/4)

Pacific Radiator White Edition Series

• Angle View



Top View



Side View



Front View



Rear View



Aluminum alloy fins



Pacific Radiator White Edition Series

• Detailed Features :



Designed for high air pressure fan

Optimal fin density designed



Aerospace grade materials and structure

Special engineered slim form factor



Application View

Best heat dissipation

Pacific Radiator White Edition Series

P/N: CL-W011-AL00WT-B, CL-W012-AL00WT-B, CL-W013-AL00WT-B

Pacific Radiator White Edition

**DIY Water Cooling Kit
Series**



Tt **Thermaltake**
COOL All YOUR LIFE