

# Thermaltake Liquid Cooling Pacific T Series

## • Features

- Reliable, lightweight POM construction
- Five predrilled G1/4 holes maximize compatibility
- Easy installation

P/N: *CL-W003-PL00BL-A*

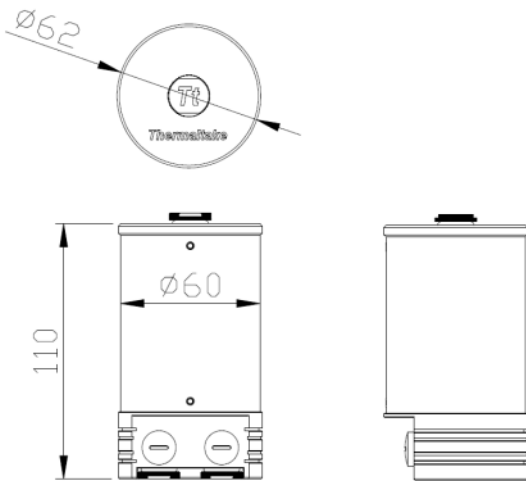
*CL-W004-PL00BL-A*

*CL-W005-PL00BL-A*



# Thermaltake Liquid Cooling Pacific T Series

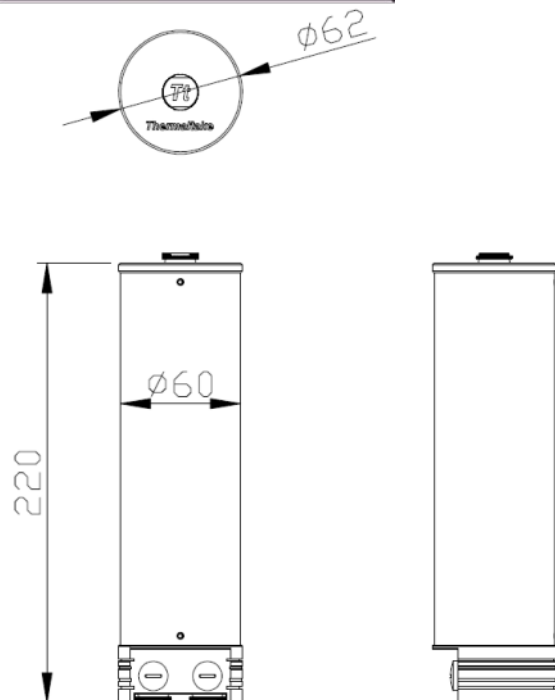
## •Dimension



## •Specification

P/N	CL-W003-PL00BL-A
Dimension	φ 62 x 110 (H) (mm)
Capacity	200 ml
Weight	213 g
Material	POM + PMMA
Screw thread	G 1/4
Parts	1. Stopper *3 (G 1/4 ) 2. Bracket *2
Note	

## •Dimension

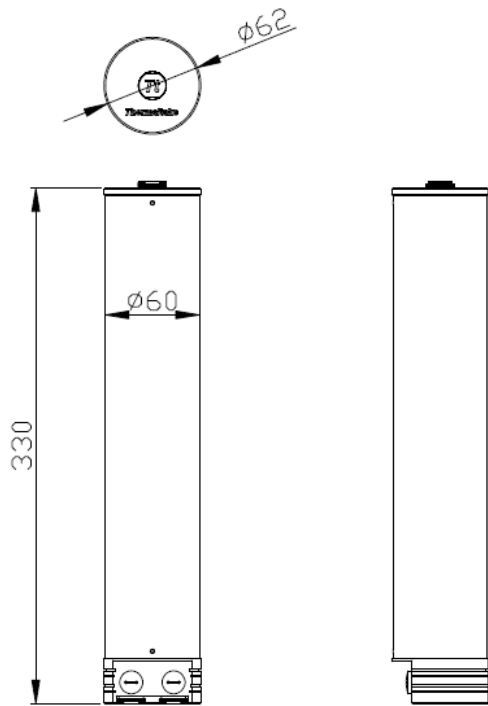


## •Specification

P/N	CL-W004-PL00BL-A
Dimension	φ 62 x 220 (H) (mm)
Capacity	400 ml
Weight	284 g
Material	POM + PMMA
Screw thread	G 1/4
Parts	1. Stopper *3 (G 1/4 ) 2. Bracket *2
Note	

# Thermaltake Liquid Cooling Pacific T Series

## •Dimension



## •Specification

P/N	CL-W005-PL00BL-A
Dimension	$\phi 62 \times 330$ (H) (mm)
Capacity	600 ml
Weight	344 g
Material	POM + PMMA
Screw thread	G 1/4
Parts	1. Stopper *3 (G 1/4 ) 2. Bracket *2
Note	

# Thermaltake Liquid Cooling Pacific T11

- Angle View



Front View



Top View



POM construction



Bracket

# Thermaltake Liquid Cooling Pacific T22

- Angle View



Top View



Front View



POM construction



Bracket

# Thermaltake Liquid Cooling Pacific T33

- Angle View



Top View



Front View



POM construction



Bracket



# Thermaltake Liquid Cooling Pacific Series

## • Detailed Features :



### **PMMA Tank**

PMMA and POM Material



### **Maximize Compatibility**

Five predrilled G1/4 holes



### **Application View**

Easy installation

**P/N: CL-W003-AL00BL-A , CL-W004-AL00BL-A , CL-W005-AL00BL-A**

# Pacific T

**DIY Water Cooling Kit**  
**SERIES**

