

Thermaltake Liquid Cooling Pacific RL Series

P/N: CL-W011-AL00BL-A, CL-W012-AL00BL-A,
CL-W013-AL00BL-A, CL-W014-AL00BL-A,

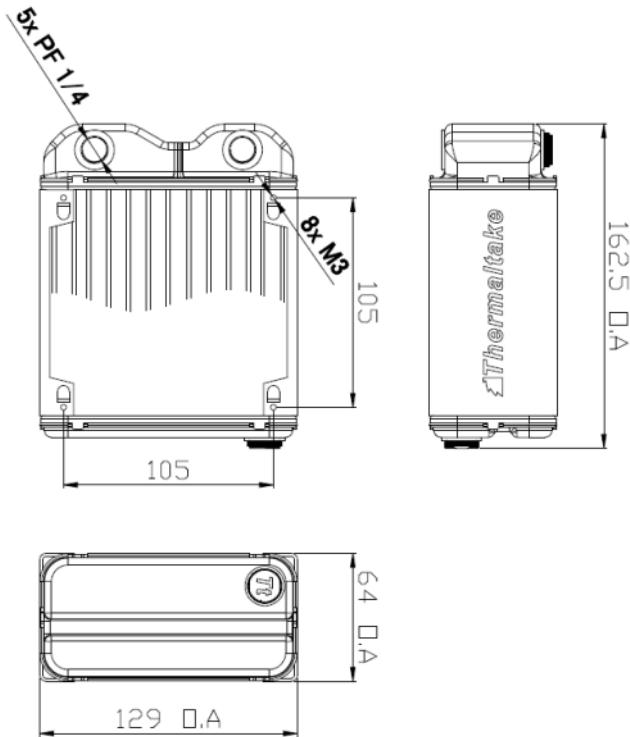
• Features

- Optimized radiator thickness for better heat dissipation
- Aerospace grade materials and structure
- Special engineered slim form factor
- Aluminum alloy fins for best heat dissipation
- Black G1/4 threaded hubs



Thermaltake Liquid Cooling Pacific RL Series

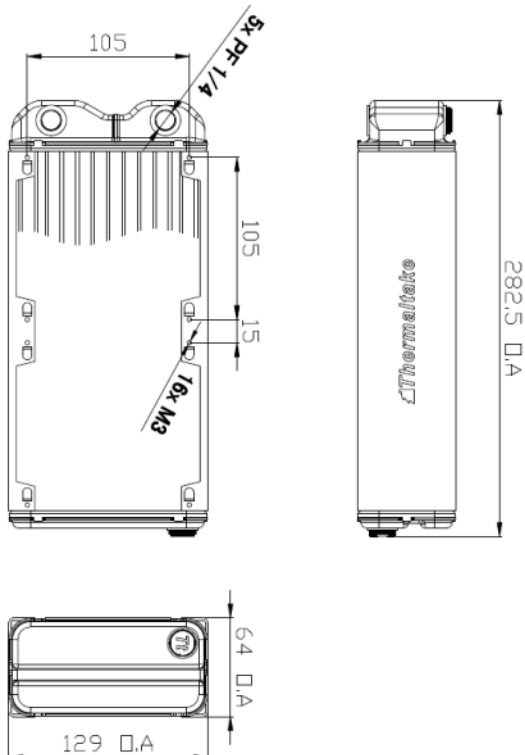
•Dimension



•Specification

P/N	CL-W011-AL00BL-A
Dimension (mm)	162.5 (L) x 129 (W) x 64 (H)
Weight	432g
Material	Aluminum
Screw thread	G 1/4 * 5
Parts	Stopper *3 (G 1/4)

•Dimension

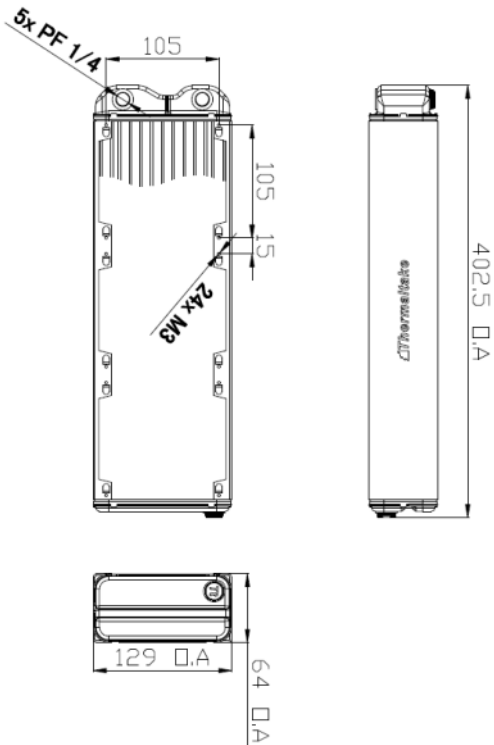


•Specification

P/N	CL-W012-AL00BL-A
Dimension (mm)	282.5 (L) x 129 (W) x 64 (H)
Weight	702 g
Material	Aluminum
Screw thread	G 1/4 * 5
Parts	Stopper * 3 (G 1/4)

Thermaltake Liquid Cooling Pacific RL Series

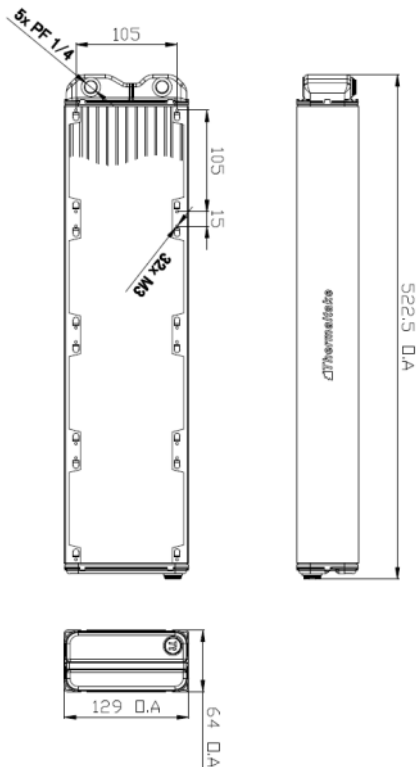
•Dimension



•Specification

P/N	CL-W013-AL00BL-A
Dimension (mm)	402.5 (L) x 129 (W) x 64 (H)
Weight	972g
Material	Aluminum
Screw thread	G 1/4 * 5
Parts	Stopper *3 (G 1/4)

•Dimension



•Specification

P/N	CL-W014-AL00BL-A
Dimension (mm)	522.5 (L) x 129 (W) x 64 (H)
Weight	1242 g
Material	Aluminum
Screw thread	G 1/4 * 5
Parts	Stopper * 3 (G 1/4)

Thermaltake Liquid Cooling Pacific RL120

- Angle View



Top View



Side View



Front View



Rear View



Aluminum alloy fins



Thermaltake Liquid Cooling Pacific RL240

- Angle View



Top View



Side View



Front View



Rear View



Aluminum alloy fins



Thermaltake Liquid Cooling Pacific RL360

- Angle View



Top View



Side View



Front View



Rear View



Aluminum alloy fins



Thermaltake Liquid Cooling Pacific RL480

- Angle View



Top View



Side View



Front View



Rear View



Aluminum alloy fins



Thermaltake Liquid Cooling Pacific R Series

• Detailed Features :



Designed for high air pressure fan

Optimal fin density designed



Aerospace grade materials and structure

Special engineered slim form factor



Application View

Best heat dissipation

P/N: CL-W008-AL00BL-A

Pacific R

DIY Water Cooling Kit

Series

