

Thermaltake Liquid Cooling Pacific PT Series

P/N: CL-W001-PL00BL-A

CL-W006-PL00BL-A

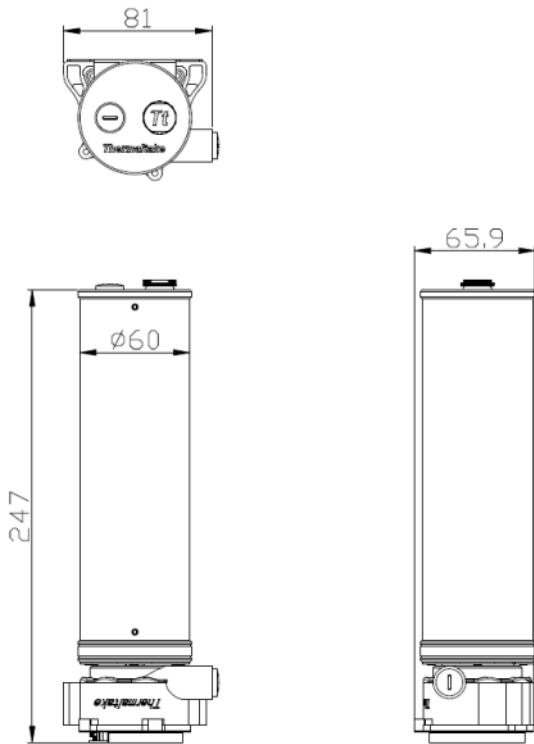
• Features

- Reservoir and pump combo unit
- High performance pump achieving 500L/hr
- Reliable, lightweight POM construction
- Easy installation



Thermaltake Liquid Cooling Pacific PT Series

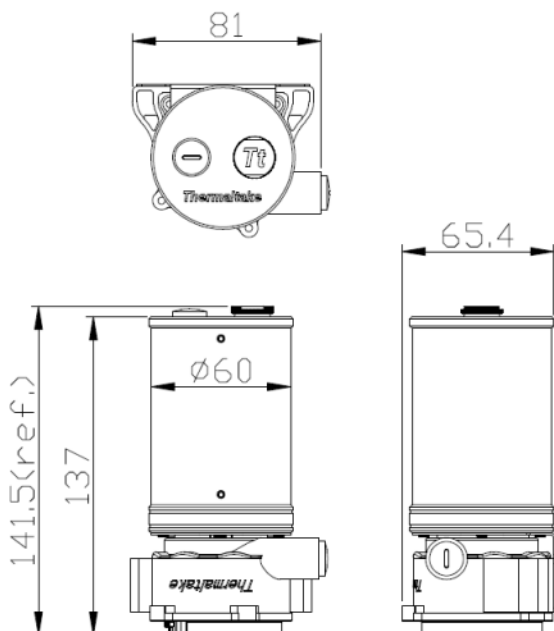
•Dimension



•Specification

P/N	CL-W001-PL00BL-A
Dimension (mm)	247 (L) x 81 (W) x 65.9 (H)
Material	POM+ PMMA
Capacity	400 ml
Maximum head	5.9 feet (1.8m)
Maximum Flow Rate	500 L/h
Maximum pressure	20 PSI
Input Voltage	12 V
Connector	3 Pin
Screw Thread	G 1/4
Parts	1. Stopper *1 (G 1/4) 2. Bracket *2

•Dimension



•Specification

P/N	CL-W006-PL00BL-A
Dimension (mm)	141.5 (L) x 81 (W) x 65.4 (H)
Material	POM+ PMMA
Capacity	200 ml
Maximum head	5.9 feet (1.8m)
Maximum Flow Rate	500 L/h
Maximum pressure	20 PSI
Input Voltage	12 V
Connector	3 Pin
Screw Thread	G 1/4
Parts	1. Stopper *1 (G 1/4) 2. Bracket *2

Thermaltake Liquid Cooling Pacific PT40

- Angle View



Front View



Side View



Top View



PMMA Tank

P500 Pump

Thermaltake Liquid Cooling Pacific PT20

- Angle View



Front View



Side View



Top View



PMMA Tank



P500 Pump

Thermaltake Liquid Cooling Pacific PT Series

• Detailed Features :



Reservoir and pump combo unit

High performance pump achieving
500L/hr



PMMA Tank

Reliable, lightweight POM construction



Application View

Easy installation

Thermaltake Liquid Cooling Pacific PT Series

P/N: CL-W056-PL00BL-A

CL-W057-PL00BL-A

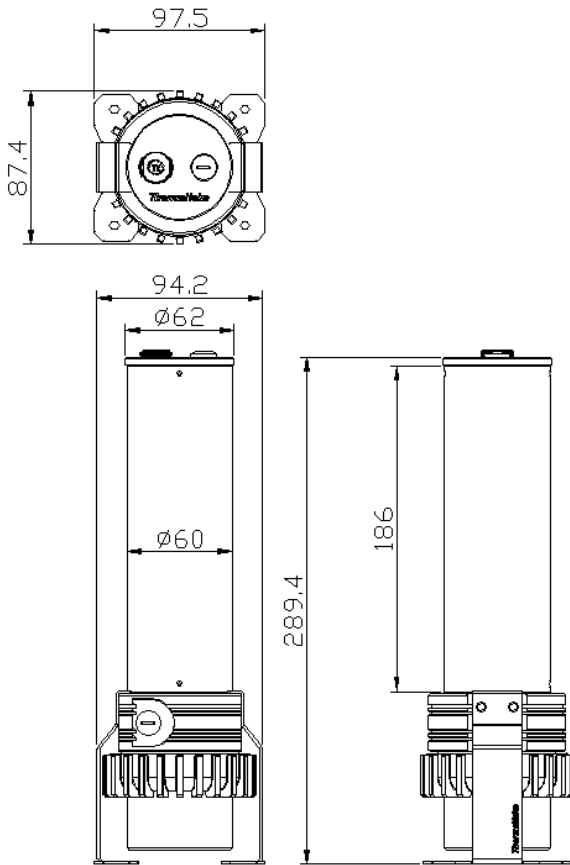
• Features

- Reservoir and D5 pump combo unit with pump mod kit
- 288 mm long reservoir with 400ml capacity
- High performance pump for high flow system
- Easy installation



Thermaltake Liquid Cooling Pacific PT 40-D5

•Dimension



•Specification

P/N	CL-W056-PL00BL-A
Dimension (mm)	97.5 (L) x 87.4 (W) x 289.4 (H)
Material	POM+ PMMA
Capacity	400 ml
Maximum Head	15 feet (4.5m)
Maximum Flow Rate	1135 L/h
Maximum Pressure	50 PSI
Input Voltage	8 ~ 24 V
Connector	4 Pin
Pump Speed	P1: 1,800 RPM P2: 2,550 RPM P3: 3,300 RPM P4: 4,050 RPM P5: 4,800 RPM
Screw Thread	G 1/4
Parts	1. Stopper *1 (G 1/4) 2. Bracket *2 3. Clip *2

Thermaltake Liquid Cooling Pacific PT40-D5

- Angle View



Front View



Side View



Top View

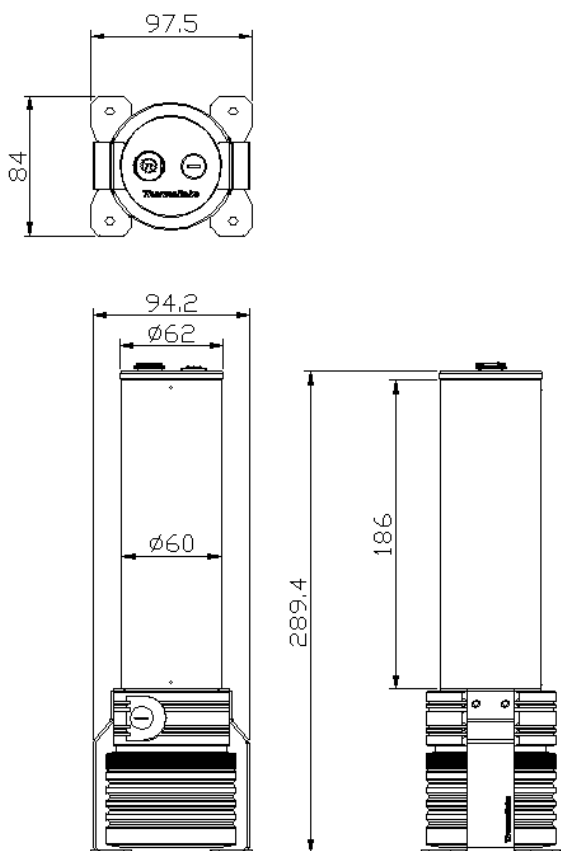


PMMA Tank

D5 Pump

Thermaltake Liquid Cooling Pacific PT 40-D5 w/mod kit

•Dimension



•Specification

P/N	CL-W057-PL00BL-A
Dimension (mm)	97.5(L) x 84 (W) x 289.4 (H)
Material	POM+ PMMA
Capacity	400 ml
Maximum Head	15 feet (4.5m)
Maximum Flow Rate	1135 L/h
Maximum Pressure	50 PSI
Input Voltage	8 ~ 24 V
Connector	4 Pin
Pump Speed	P1: 1,800 RPM P2: 2,550 RPM P3: 3,300 RPM P4: 4,050 RPM P5: 4,800 RPM
Screw Thread	G 1/4
Parts	1. Stopper *1 (G 1/4) 2. Bracket *2 3. Clip *2

Thermaltake Liquid Cooling Pacific PT40-D5

- Angle View



Front View



Side View



Top View



PMMA Tank

D5 Pump

Thermaltake Liquid Cooling Pacific PT Series

• Detailed Features :



Reservoir and pump combo unit

High performance pump achieving
500L/hr



PMMA Tank

Reliable, lightweight POM construction



Application View

Easy installation

Thermaltake Liquid Cooling Pacific PT Series

P/N: CL-W056-PL00BL-A , CL-W056-PL00BL-A

Pacific PT

DIY Water Cooling Kit
Series



 **Thermaltake**
COOL All YOUR LIFE