

# Pacific PR11

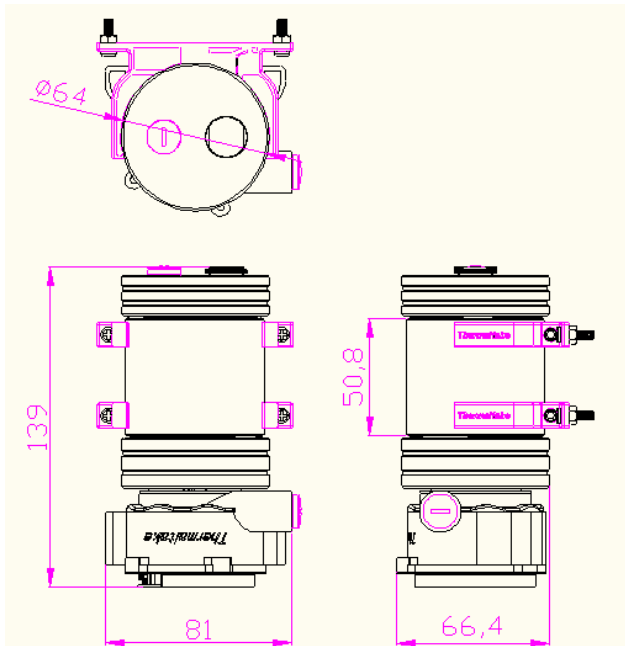
**• Features**

- Reservoir and pump combo unit
- High performance pump achieving 500L/hr
- Reliable, lightweight POM construction
- Easy installation



**• Dimension**

**• Specification**



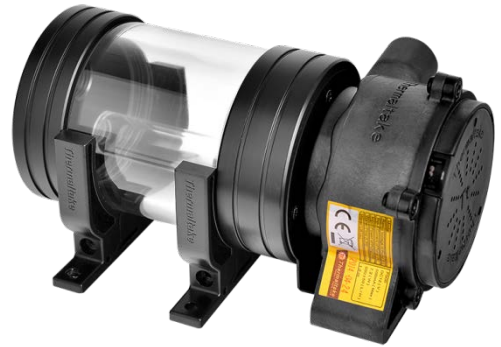
P/N	CL-W078-PL00BL-A
Dimension ( mm )	81 (L) x 66.4 (W) x 139 (H)
Material	POM+ PMMA
Capacity	120 ml
Maximum head	5.9 feet (1.8m)
Maximum Flow Rate	500 L/h
Maximum pressure	20 PSI
Input Voltage	12 V
Connector	3 Pin
Screw Thread	G 1/4
Parts	1. Stopper *1 (G 1/4 ) 2. Bracket *2

# Thermaltake Liquid Cooling Pacific PR11

- Angle View



Front View



Side View



Top View



Part



D5 Pump

# Thermaltake Liquid Cooling Pacific PR11

## • Detailed Features :



## Reservoir and pump combo unit

High performance pump achieving  
500L/hr



## PMMA Tank

Reliable, lightweight POM construction

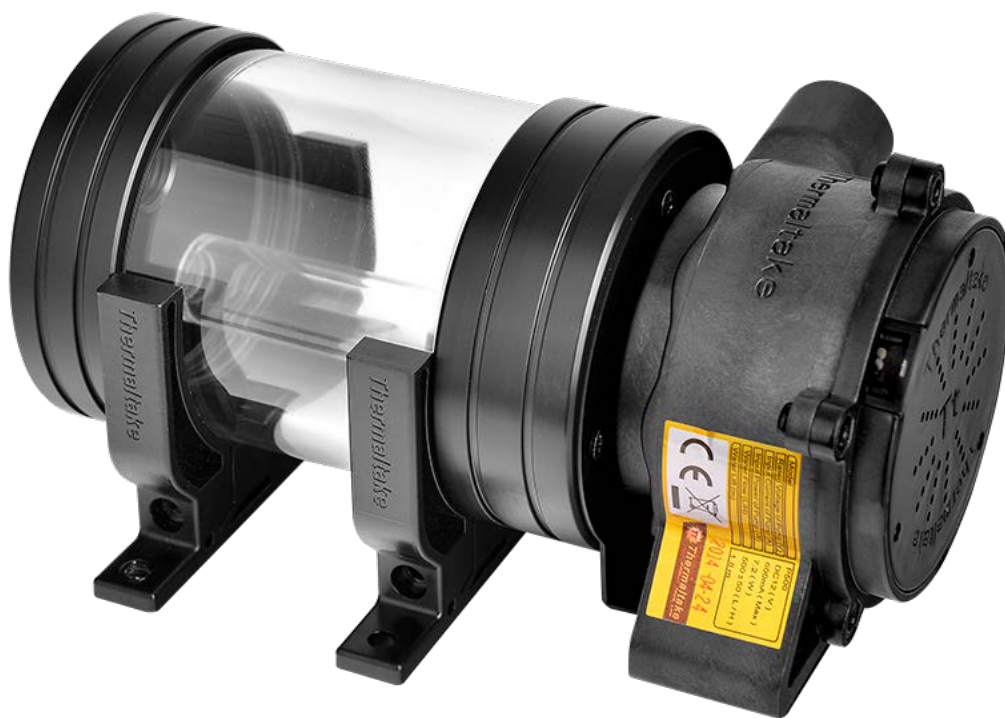


## Application View

Easy installation

# Pacific PR11

**DIY Water Cooling Kit**



# Pacific PR22

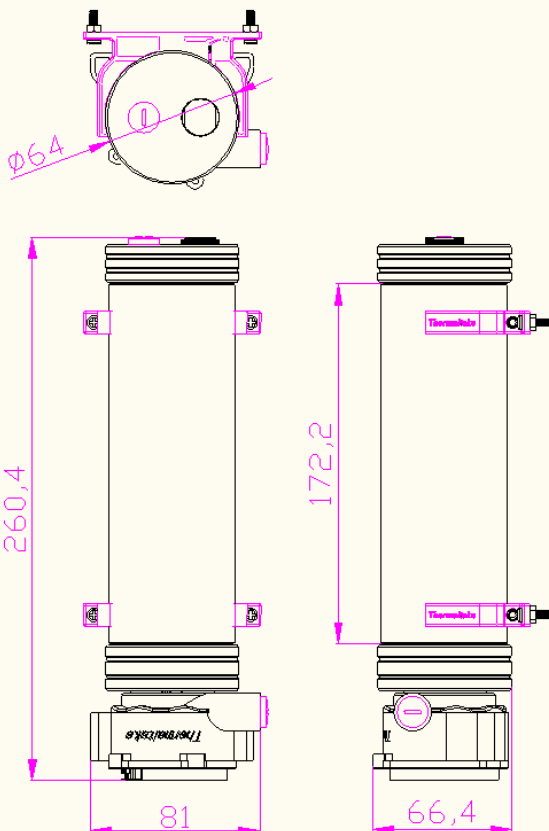
## • Features

- Reservoir and pump combo unit
- High performance pump achieving 500L/hr
- Reliable, lightweight POM construction
- Easy installation



## • Dimension

## • Specification



P/N	CL-W081-PL00BL-A
Dimension ( mm )	81 (L) x 66.4 (W) x 260.4 (H)
Material	POM+ PMMA
Capacity	300 ml
Maximum head	5.9 feet (1.8m)
Maximum Flow Rate	500 L/h
Maximum pressure	20 PSI
Input Voltage	12 V
Connector	3 Pin
Screw Thread	G 1/4
Parts	1. Stopper *1 (G 1/4) 2. Bracket *2

# Thermaltake Liquid Cooling Pacific PR22

## • Angle View



Front View



Side View



Top View



Part



D5 Pump

# Thermaltake Liquid Cooling Pacific PR22

## • Detailed Features :



### Reservoir and pump combo unit

High performance pump achieving  
500L/hr



### PMMA Tank

Reliable, lightweight POM construction



### Application View

Easy installation

**Thermaltake Liquid Cooling Pacific PR22**

*P/N: CL-W081-PL00BL-A*

# Pacific PR22

**DIY Water Cooling Kit**



**Tt** **Thermaltake**  
COOL all YOUR LIFE





# Pacific PR15-

## DIY Water Cooling Kit

### D5

• Features

- Reservoir and D5 pump combo unit with pump mod kit
- 150 mm long reservoir with 200ml capacity
- High performance pump for high flow system
- Easy installation



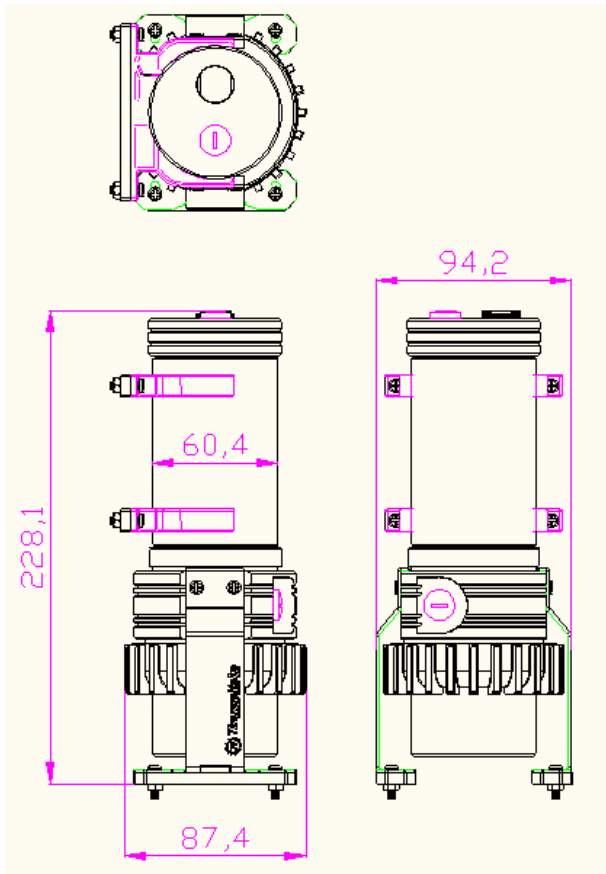


# Pacific PR15-

# D5

## DIY Water Cooling Kit

### •Dimension



### •Specification

P/N	CL-W080-PL00BL-A
Dimension ( mm )	94.2 (L) x 87.4 (W) x 228.1 (H)
Material	POM+ PMMA
Capacity	200 ml
Maximum Head	15 feet (4.5m)
Maximum Flow Rate	1135 L/h
Maximum Pressure	50 PSI
Input Voltage	8 ~ 24 V
Connector	4 Pin
Pump Speed	P1: 1,800 RPM P2: 2,550 RPM P3: 3,300 RPM P4: 4,050 RPM P5: 4,800 RPM
Screw Thread	G 1/4
Parts	1. Stopper *1 (G 1/4 ) 2. Bracket *2 3. Clip *2

# Thermaltake Liquid Cooling Pacific PR15-D5

- Angle View



Front View



Side View



Top View



Parts



D5 Pump

# Thermaltake Liquid Cooling Pacific PR15-D5

## • Detailed Features :



## Reservoir and pump combo unit

High performance pump achieving  
1135 L/hr



## PMMA Tank

Reliable, lightweight POM construction



## Application View

Easy installation

**Thermaltake Liquid Cooling Pacific PR15-D5**

*P/N: CL-W080-PL00BL-A*

# Pacific PR15- D5

**DIY Water Cooling Kit**



 **Thermaltake**  
COOL ALL YOUR LIFE



# Pacific PR22-D5

## DIY Water Cooling Kit

### • Features

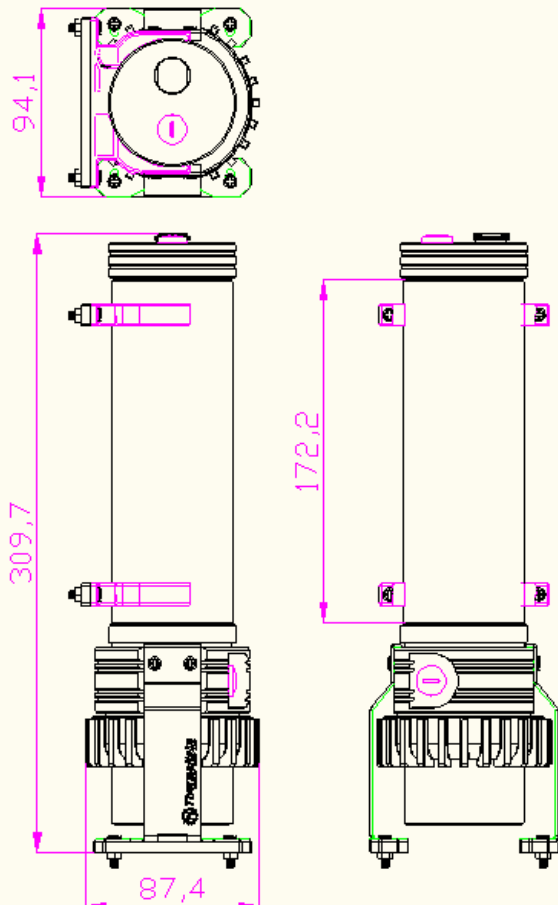
- Reservoir and D5 pump combo unit with pump mod kit
- 220 mm long reservoir with 300ml capacity
- High performance pump for high flow system
- Easy installation



# Pacific PR22-D5

## DIY Water Cooling Kit

### •Dimension



### •Specification

P/N	CL-W082-PL00BL-A
Dimension ( mm )	94.1 (L) x 87.4 (W) x 309.7 (H)
Material	POM+ PMMA
Capacity	300 ml
Maximum Head	15 feet (4.5m)
Maximum Flow Rate	1135 L/h
Maximum Pressure	50 PSI
Input Voltage	8 ~ 24 V
Connector	4 Pin
Pump Speed	P1: 1,800 RPM P2: 2,550 RPM P3: 3,300 RPM P4: 4,050 RPM P5: 4,800 RPM
Screw Thread	G 1/4
Parts	1. Stopper *1 (G 1/4 ) 2. Bracket *2 3. Clip *2

# Thermaltake Liquid Cooling Pacific PR22-D5

• Angle View



Front View



Side View



Top View



Part



D5 Pump



# Thermaltake Liquid Cooling Pacific PR22-D5

## • Detailed Features :



## Reservoir and pump combo unit

High performance pump achieving  
1135 L/hr



## PMMA Tank

Reliable, lightweight POM construction



## Application View

Easy installation

**Thermaltake Liquid Cooling Pacific PR22-D5**

*P/N: CL-W082-PL00BL-A*

# Pacific PR22-D5

## *DIY Water Cooling Kit*



 **Thermaltake**  
COOL All YOUR LIFE

# Pacific PR22-D5 Silent Kit

## **DIY Water Cooling Kit**

### • Features

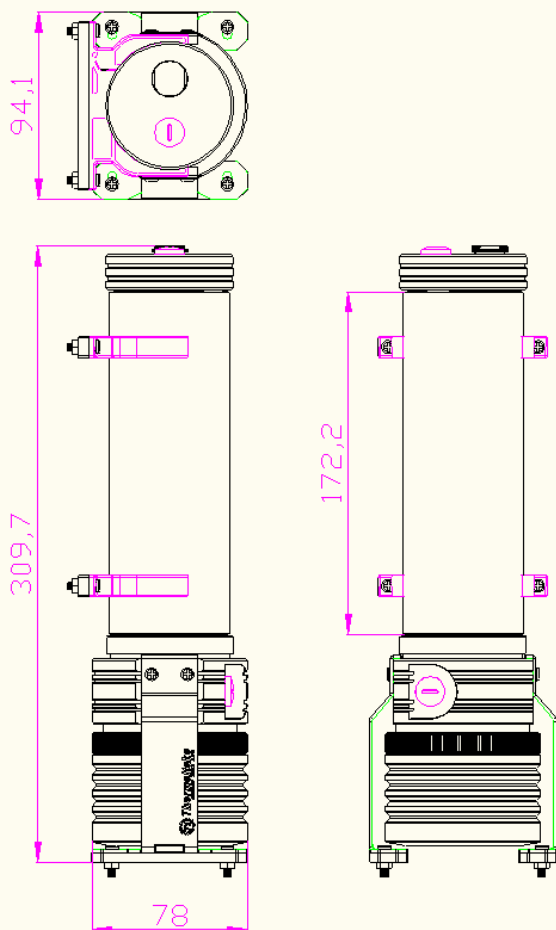
- Reservoir and D5 pump combo unit with pump mod kit
- 220 mm long reservoir with 300ml capacity
- High performance pump for high flow system
- Easy installation



# Pacific PR22-D5 Silent Kit

## DIY Water Cooling Kit

### •Dimension



### •Specification

P/N	CL-W083-PL00BL-A
Dimension ( mm )	94.1 (L) x 78 (W) x 309.7 (H)
Material	POM+ PMMA
Capacity	300 ml
Maximum Head	15 feet (4.5m)
Maximum Flow Rate	1135 L/h
Maximum Pressure	50 PSI
Input Voltage	8 ~ 24 V
Connector	4 Pin
Pump Speed	P1: 1,800 RPM P2: 2,550 RPM P3: 3,300 RPM P4: 4,050 RPM P5: 4,800 RPM
Screw Thread	G 1/4
Parts	1. Stopper *1 (G 1/4 ) 2. Bracket *2 3. Clip *2

# Thermaltake Liquid Cooling Pacific PR22-D5 Silent Kit

• Angle View



Front View



Side View



Top View



PMMA Tank



D5 Pump

# Thermaltake Liquid Cooling Pacific PR22-D5 Silent Kit

## • Detailed Features :



### Reservoir and pump combo unit

High performance pump achieving  
1135 L/hr



### PMMA Tank

Reliable, lightweight POM construction



### Application View

Easy installation

**Thermaltake Liquid Cooling Pacific PR22-D5 Silent Kit**

*P/N: CL-W083-PL00BL-A*

# Pacific PR22-D5 Silent Kit

**DIY Water Cooling Kit**



 **Thermaltake**  
COOL all YOUR LIFE