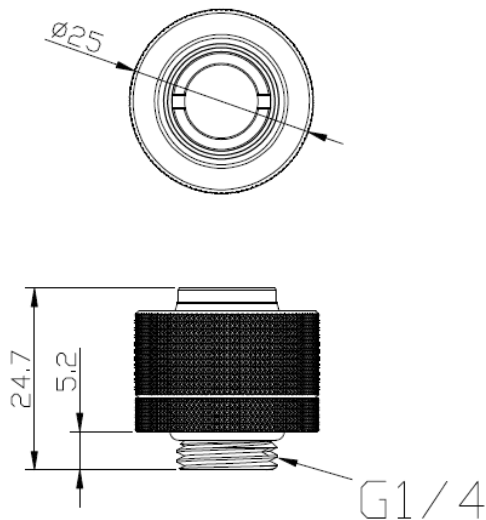


Thermaltake Liquid Cooling Pacific Fitting Series

•Dimension



•Specification

P/N	CL-W030-CA00BL-A (Black) CL-W030-CA00SL-A (Chrome)
P/N	Pacific 12" ID x 34" OD Compression
Dimension	$\varnothing 25$ x 24.7 (H) (mm)
Applicable	OD : 3/4" (19 mm) ID : 1/2" (13 mm)
Weight	53 g
Material	CU
Screw thread	G 1/4
Note	Connector To Tube

CL-W030-CA00BL-A (Black)

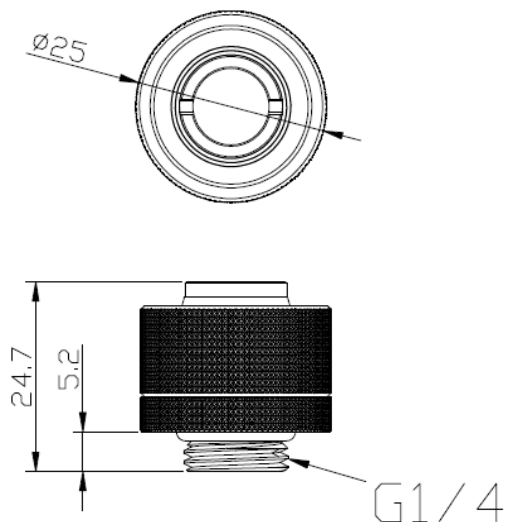


CL-W030-CA00SL-A (Chrome)



Thermaltake Liquid Cooling Pacific Fitting Series

•Dimension



•Specification

P/N	CL-W031-CA00BL-A (Black) CL-W031-CA00SL-A (Chrome)
P/N	Pacific 12" ID x 58" OD Compression
Dimension	$\varnothing 25 \times 24.7$ (H) (mm)
Applicable	OD : 5/8" (15.9 mm) ID : 1/2" (13 mm)
Weight	55 g
Material	CU
Screw thread	G 1/4
Note	Connector To Tube

CL-W031-CA00BL-A (Black)

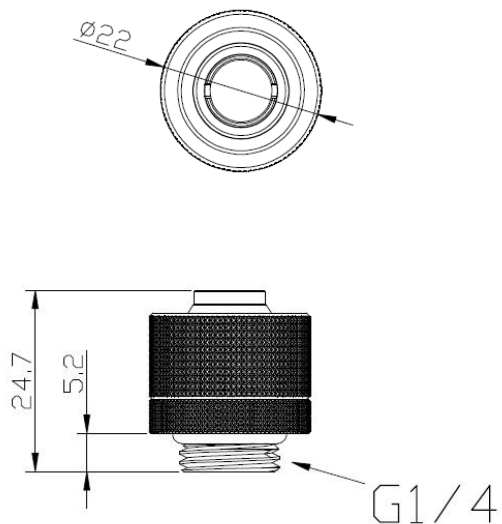


CL-W031-CA00SL-A (Chrome)



Thermaltake Liquid Cooling Pacific Fitting Series

•Dimension



•Specification

P/N	CL-W032-CA00BL-A (Black) CL-W032-CA00SL-A (Chrome)
P/N	Pacific 38" ID x 58" OD Compression
Dimension	$\varnothing 22$ x 24.7 (H) (mm)
Applicable	OD : 5/8" (16 mm) ID : 3/8" (9.5 mm)
Weight	41 g
Material	CU
Screw thread	G 1/4
Note	Connector To Tube

CL-W032-CA00BL-A (Black)

CL-W032-CA00SL-A (Chrome)

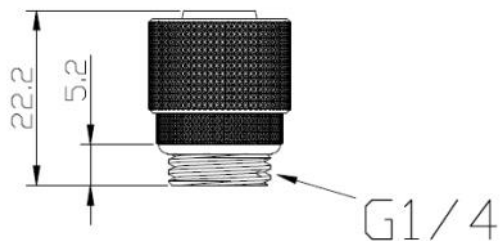
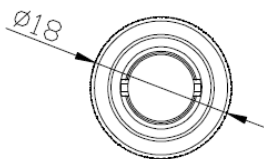


Thermaltake Liquid Cooling Pacific Fitting Series

•Dimension

•Specification

P/N	CL-W033-CA00BL-A (Black) CL-W033-CA00SL-A (Chrome)
P/N	Pacific 38" ID x 12" OD Compression
Dimension	φ 18 x 22.2 (H) (mm)
Applicable	OD : 1/2" (12.7 mm) ID : 3/8" (13 mm)
Weight	24 g
Material	CU
Screw thread	G 1/4
Note	Connector To Tube



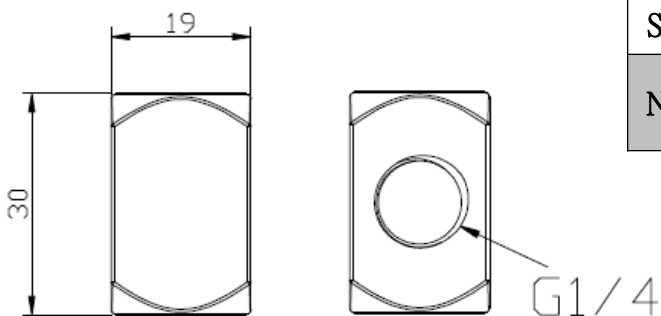
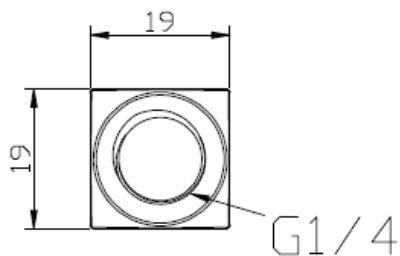
CL-W033-CA00BL-A (Black)

CL-W033-CA00SL-A (Chrome)



Thermaltake Liquid Cooling Pacific Fitting Series

•Dimension



•Specification

P/N	CL-W034-CU00BL-A (Black) CL-W034-CU00SL-A (Chrome)
P/N	Pacific 4-Way G14 Connector Block
Dimension	19 x 19 x 30 (mm)
Weight	53 g
Material	CU
Screw thread	G 1/4
Note	4 Way Connector to Fitting

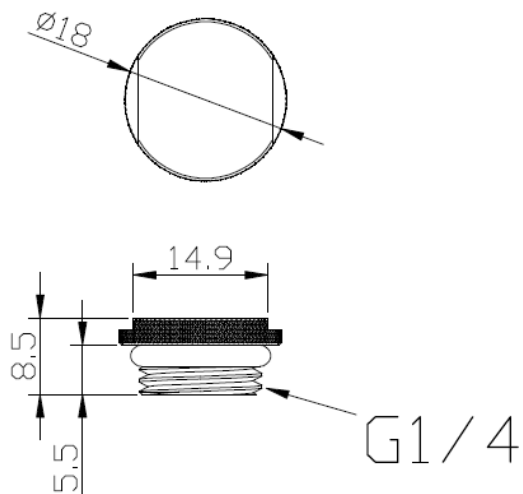
CL-W034-CU00BL-A (Black)

CL-W034-CU00SL-A (Chrome)



Thermaltake Liquid Cooling Pacific Fitting Series

•Dimension



•Specification

P/N	CL-W035-CU00BL-A (Black) CL-W035-CU00SL-A (Chrome)
P/N	Pacific G14 Stop Plug w / O-Ring
Dimension	§ 18 x 8.5 (H) (mm)
Weight	14 g
Material	CU
Screw thread	G 1/4
Note	Stop Plug

CL-W035-CU00SL-A (Black)

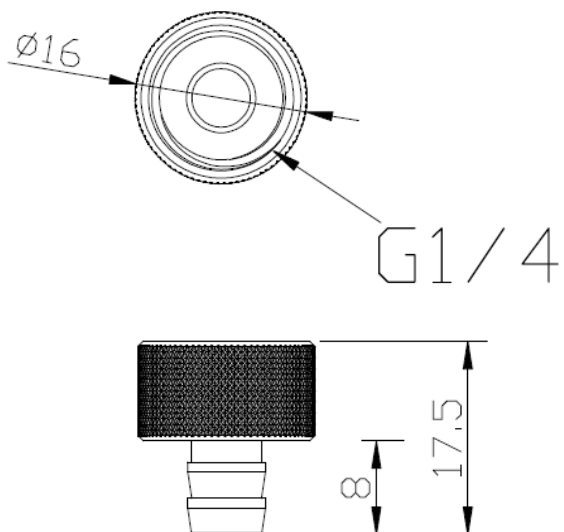


CL-W035-CU00SL-A (Chrome)



Thermaltake Liquid Cooling Pacific Fitting Series

•Dimension



•Specification

P/N	CL-W036-CU00BL-A (Black) CL-W036-CU00SL-A (Chrome)
P/N	Pacific 1/4" Fill-port
Dimension	φ 16 x 17.5 (H) (mm)
Applicable	ID : 1/4" (6.35 mm)
Weight	12 g
Material	CU
Screw thread	G 1/4
Note	Stop to Tube

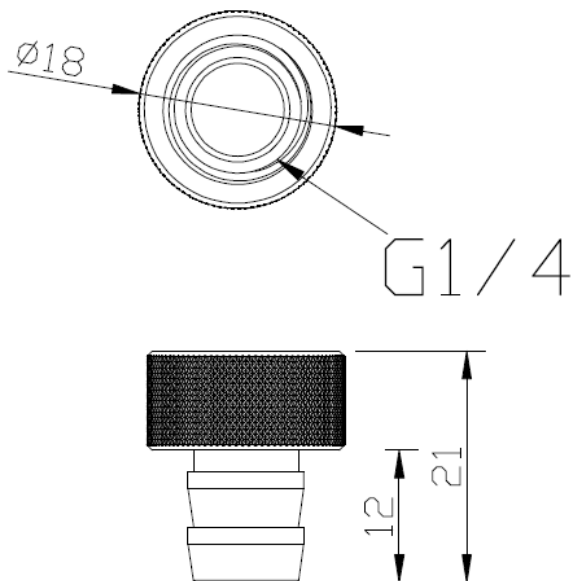
CL-W036-CU00BL-A (Black)

CL-W036-CU00SL-A (Chrome)



Thermaltake Liquid Cooling Pacific Fitting Series

•Dimension



•Specification

P/N	CL-W037-CU00BL-A (Black) CL-W037-CU00SL-A (Chrome)
P/N	Pacific 3/8" Fill-port
Dimension	φ 18 x 21 (H) (mm)
Applicable	ID : 3/8" (9.5 mm)
Weight	17 g
Material	CU
Screw thread	G 1/4
Note	Stop to Tube

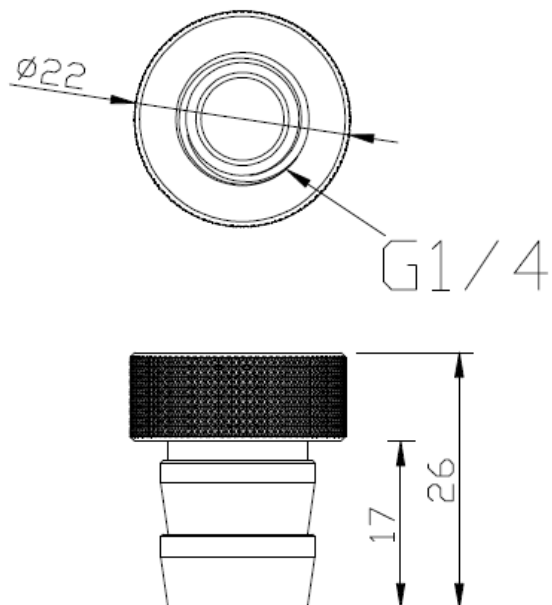
CL-W037-CU00BL-A (Black)

CL-W037-CU00SL-A (Chrome)



Thermaltake Liquid Cooling Pacific Fitting Series

•Dimension



•Specification

P/N	CL-W038-CU00BL-A (Black) CL-W038-CU00SL-A (Chrome)
P/N	Pacific 1/2" Fill-port
Dimension	$\varnothing 22 \times 26$ (H) (mm)
Applicable	ID : 1/2" (13 mm)
Weight	42 g
Material	CU
Screw thread	G 1/4
Note	Stop to Tube

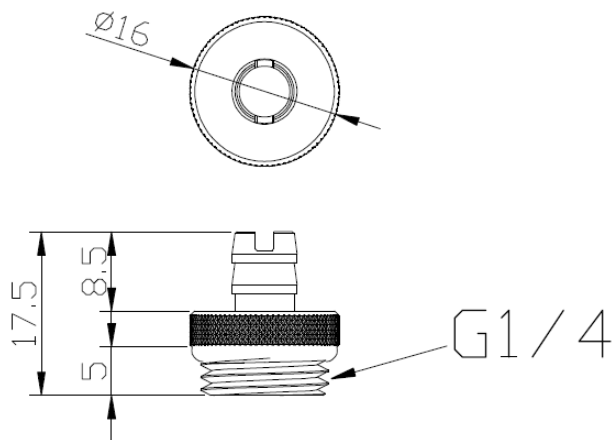
CL-W038-CU00BL-A (Black)

CL-W038-CU00SL-A (Chrome)



Thermaltake Liquid Cooling Pacific Fitting Series

•Dimension



•Specification

P/N	CL-W039-CU00BL-A (Black) CL-W039-CU00SL-A (Chrome)
P/N	Pacific 1/4" ID Barbs
Dimension	$\varnothing 16 \times 17.5$ (H) (mm)
Applicable	ID : 1/4" (6.35 mm)
Weight	13 g
Material	CU
Screw thread	G 1/4
Note	插心接頭

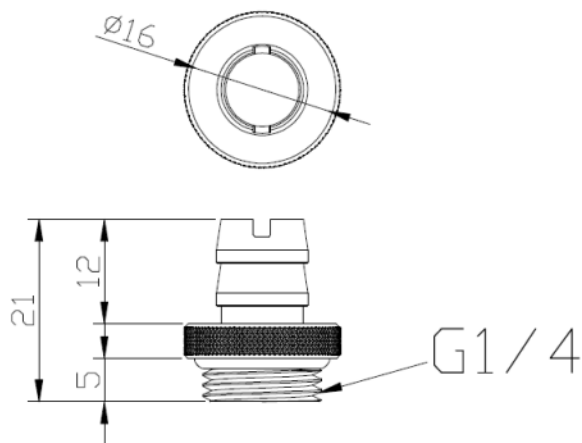
CL-W039-CU00BL-A (Black)

CL-W039-CU00SL-A (Chrome)



Thermaltake Liquid Cooling Pacific Fitting Series

•Dimension



•Specification

P/N	CL-W040-CU00BL-A (Black) CL-W040-CU00SL-A (Chrome)
P/N	Pacific 3/8" ID Barbs
Dimension	$\varnothing 22 \times 26$ (H) (mm)
Applicable	ID : 3/8" (9.5 mm)
Weight	14 g
Material	CU
Screw thread	G 1/4
Note	插心接頭

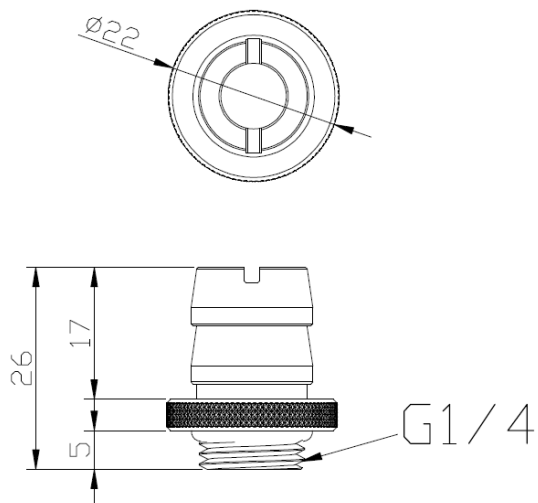
CL-W040-CU00BL-A (Black)

CL-W040-CU00SL-A (Chrome)



Thermaltake Liquid Cooling Pacific Fitting Series

•Dimension



•Specification

P/N	CL-W041-CU00BL-A (Black) CL-W041-CU00SL-A (Chrome)
P/N	Pacific 1/2" ID Barbs
Dimension	$\varnothing 16 \times 17.5$ (H) (mm)
Applicable	ID : 1/2" (6.35 mm)
Weight	33 g
Material	CU
Screw thread	G 1/4
Note	Barbs to Tube

CL-W041-CU00BL-A (Black)

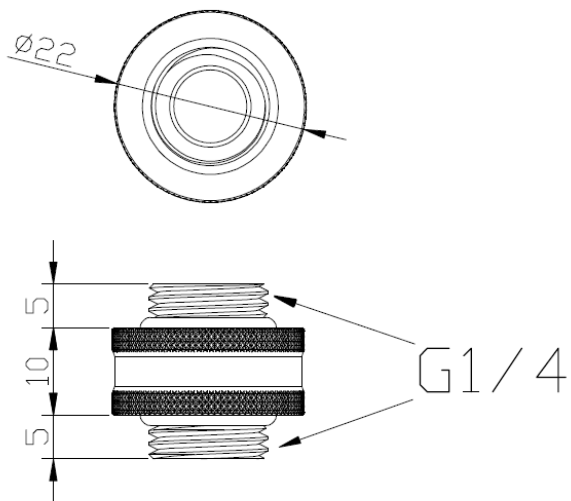


CL-W041-CU00SL-A (Chrome)



Thermaltake Liquid Cooling Pacific Fitting Series

•Dimension



•Specification

P/N	CL-W042-CU00BL-A (Black) CL-W042-CU00SL-A (Chrome)
P/N	Pacific G1/4 Male to Male 10mm extender
Dimension	$\varnothing 22 \times 20$ (H) (mm)
Applicable	G 1/4
Weight	33 g
Material	CU
Screw thread	G 1/4
Note	Male to Male

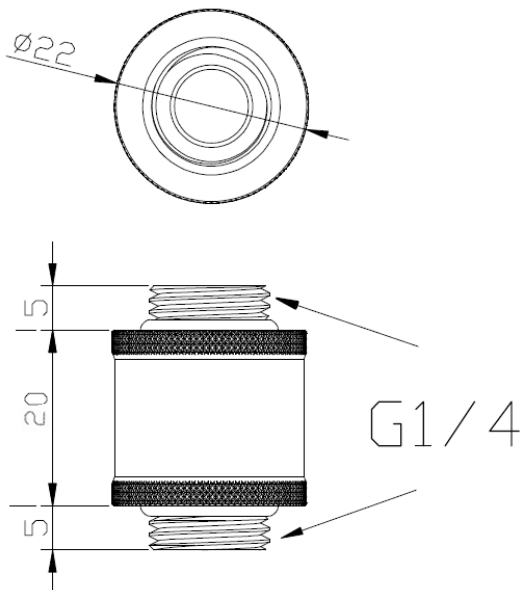
CL-W042-CU00BL-A (Black)

CL-W042-CU00SL-A (Chrome)



Thermaltake Liquid Cooling Pacific Fitting Series

•Dimension



•Specification

P/N	CL-W043-CU00BL-A (Black) CL-W043-CU00SL-A (Chrome)
P/N	Pacific G1/4 Male to Male 20mm extender
Dimension	$\varnothing 22 \times 30$ (H) (mm)
Applicable	G 1/4
Weight	58 g
Material	CU
Screw thread	G 1/4
Note	Male to Male

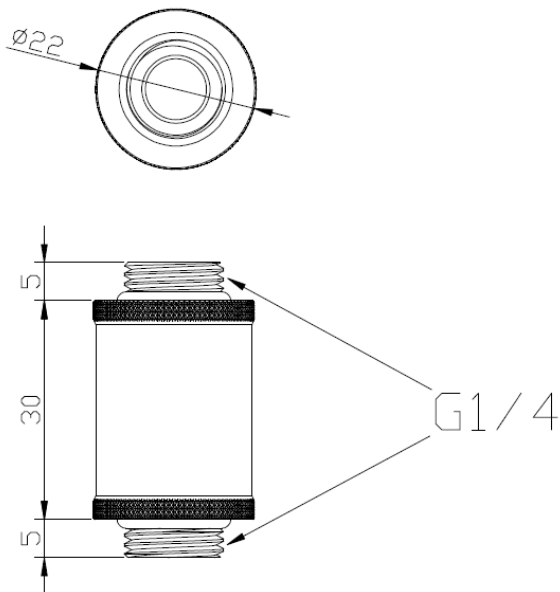
CL-W043-CU00BL-A (Black)

CL-W043-CU00SL-A (Chrome)



Thermaltake Liquid Cooling Pacific Fitting Series

•Dimension



•Specification

P/N	CL-W044-CU00BL-A (Black) CL-W044-CU00SL-A (Chrome)
P/N	Pacific G1/4 Male to Male 30mm extender
Dimension	$\varnothing 22 \times 40$ (H) (mm)
Applicable	G 1/4
Weight	83 g
Material	CU
Screw thread	G 1/4
Note	Male to Male

CL-W044-CU00BL-A (Black)

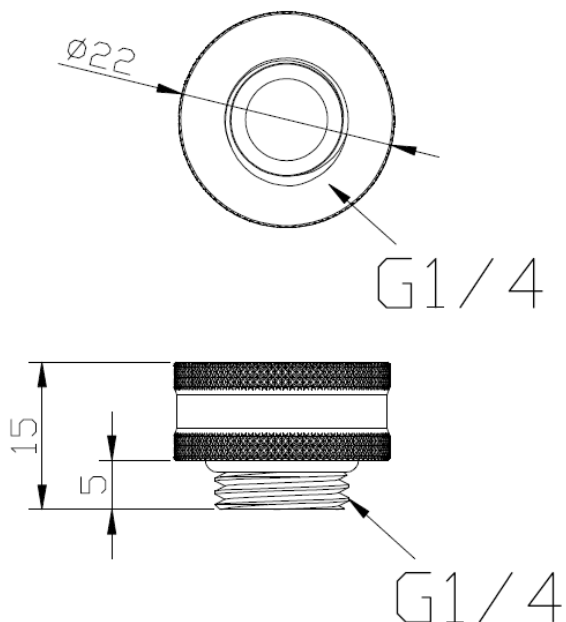


CL-W044-CU00SL-A (Chrome)



Thermaltake Liquid Cooling Pacific Fitting Series

•Dimension



•Specification

P/N	CL-W045-CU00BL-A (Black) CL-W045-CU00SL-A (Chrome)
P/N	Pacific G1/4 Female to Male 10mm extender
Dimension	∅ 22 x 15 (H) (mm)
Applicable	G 1/4
Weight	27 g
Material	CU
Screw thread	G 1/4
Note	Female to Male

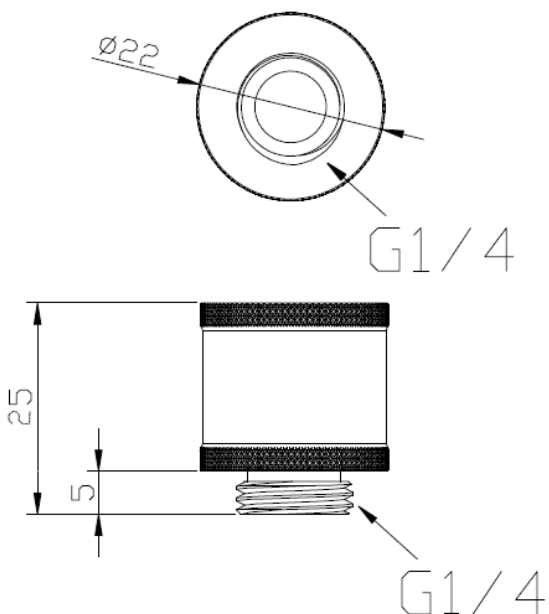
CL-W045-CU00BL-A (Black)

CL-W045-CU00SL-A (Chrome)



Thermaltake Liquid Cooling Pacific Fitting Series

•Dimension



•Specification

P/N	CL-W046-CU00BL-A (Black) CL-W046-CU00SL-A (Chrome)
P/N	Pacific G1/4 Female to Male 20mm extender
Dimension	$\varnothing 22 \times 25$ (H) (mm)
Applicable	G 1/4
Weight	47g
Material	CU
Screw thread	G 1/4
Note	Female to Male

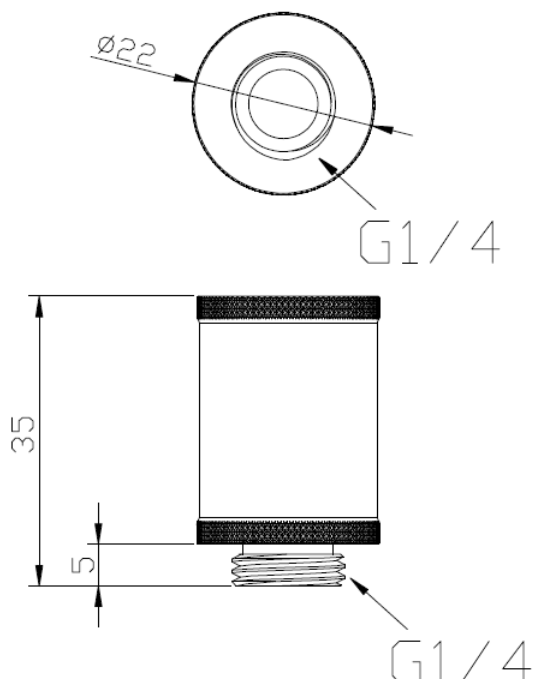
CL-W046-CU00BL-A (Black)

CL-W046-CU00SL-A (Chrome)



Thermaltake Liquid Cooling Pacific Fitting Series

•Dimension



•Specification

P/N	CL-W047-CU00BL-A (Black) CL-W047-CU00SL-A (Chrome)
P/N	Pacific G1/4 Female to Male 30mm extender
Dimension	$\phi 22 \times 35$ (H) (mm)
Applicable	G 1/4
Weight	67 g
Material	CU
Screw thread	G 1/4
Note	Female to Male

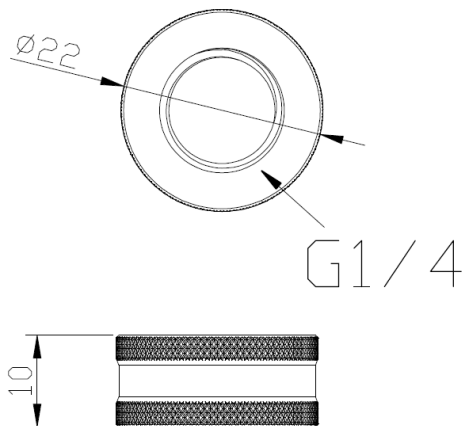
CL-W047-CU00BL-A (Black)

CL-W047-CU00BL-A (Chrome)



Thermaltake Liquid Cooling Pacific Fitting Series

•Dimension



•Specification

P/N	CL-W048-CU00BL-A (Black) CL-W048-CU00SL-A (Chrome)
P/N	Pacific G1/4 Female to Female 10mm extender
Dimension	§ 22 x 10 (H) (mm)
Applicable	G 1/4
Weight	24 g
Material	CU
Screw thread	G 1/4
Note	Female to Female

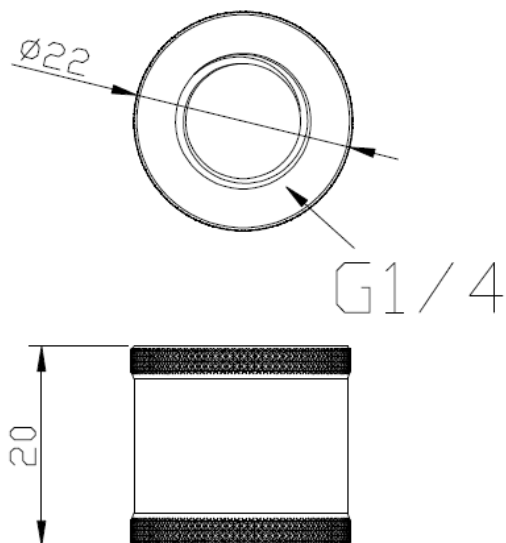
CL-W048-CU00BL-A (Black)

CL-W048-CU00SL-A (Chrome)



Thermaltake Liquid Cooling Pacific Fitting Series

•Dimension



•Specification

P/N	CL-W049-CU00BL-A (Black) CL-W049-CU00SL-A (Chrome)
P/N	Pacific G1/4 Female to Female 20mm extender
Dimension	$\varnothing 22 \times 20$ (H) (mm)
Applicable	G 1/4
Weight	43 g
Material	CU
Screw thread	G 1/4
Note	Female to Female

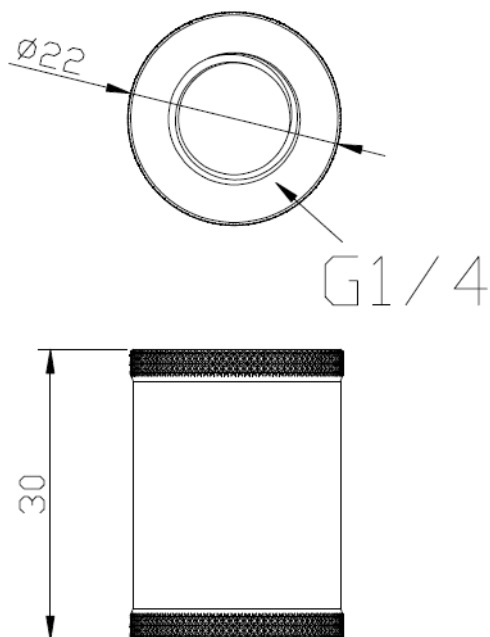
CL-W049-CU00BL-A (Black)

CL-W049-CU00SL-A (Chrome)



Thermaltake Liquid Cooling Pacific Fitting Series

•Dimension



•Specification

P/N	CL-W050-CU00BL-A (Black) CL-W050-CU00SL-A (Chrome)
P/N	Pacific G1/4 Female to Female 30mm extender
Dimension	φ 22 x 30 (H) (mm)
Applicable	G 1/4
Weight	63 g
Material	CU
Screw thread	G 1/4
Note	Female to Female

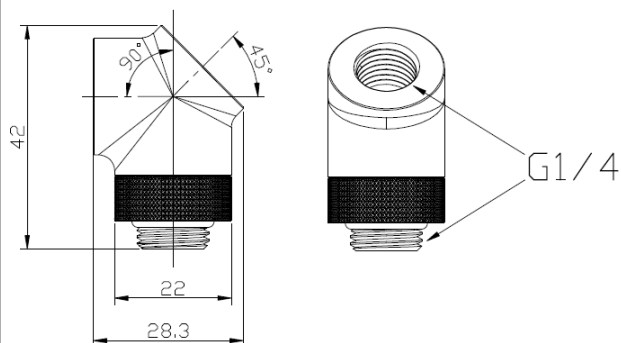
CL-W050-CU00BL-A (Black)

CL-W050-CU00SL-A (Chrome)



Thermaltake Liquid Cooling Pacific Fitting Series

•Dimension



•Specification

P/N	CL-W051-CU00BL-A (Black) CL-W051-CU00SL-A (Chrome)
P/N	Pacific G1/4 45 Degree Adapter
Dimension	42 x 28.3 x 22 (mm)
Applicable	G 1/4
Weight	103 g
Material	CU
Screw thread	G 1/4
Note	45 Degree Adapter

CL-W051-CU00BL-A (Black)

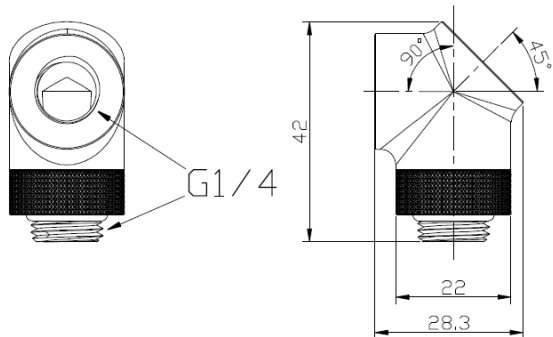


CL-W051-CU00SL-A (Chrome)



Thermaltake Liquid Cooling Pacific Fitting Series

•Dimension



•Specification

P/N	CL-W052-CU00BL-A (Black) CL-W052-CU00SL-A (Chrome)
P/N	Pacific G1/4 90 Degree Adapter
Dimension	42 x 28.3 x 22 (mm)
Applicable	G 1/4
Weight	100 g
Material	CU
Screw thread	G 1/4
Note	90 Degree Adapter

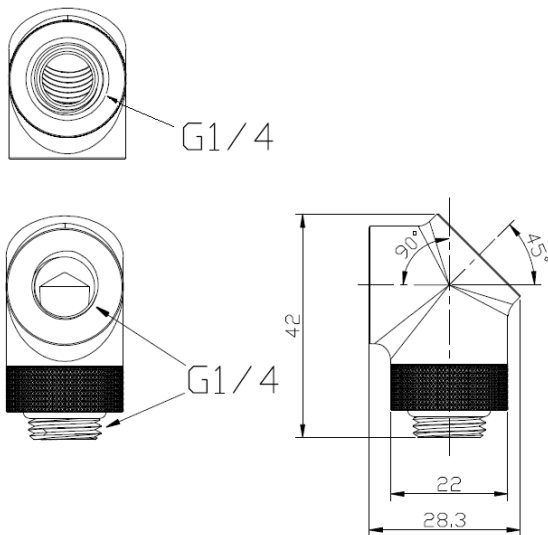
CL-W052-CU00BL-A (Black)

CL-W052-CU00SL-A (Chrome)



Thermaltake Liquid Cooling Pacific Fitting Series

•Dimension



•Specification

P/N	CL-W053-CU00BL-A (Black) CL-W053-CU00SL-A (Chrome)
P/N	Pacific G14 45 & 90 Degree Adapter
Dimension	42 x 28.3 x 22 (mm)
Applicable	G 1/4
Weight	93 g
Material	CU
Screw thread	G 1/4
Note	45 & 90 Degree Adapter

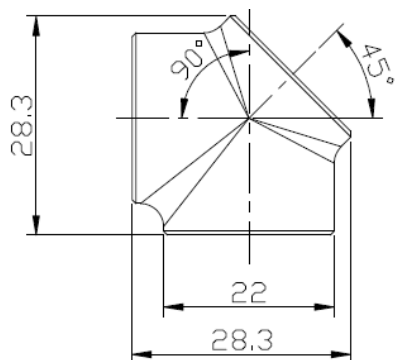
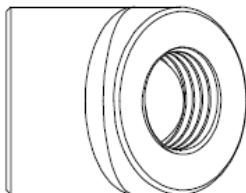
CL-W053-CU00BL-A (Black)

CL-W053-CU00SL-A (Chrome)



Thermaltake Liquid Cooling Pacific Fitting Series

•Dimension



•Specification

P/N	CL-W054-CU00BL-A (Black) CL-W054-CU00SL-A (Chrome)
P/N	Pacific G1/4 Y Adapter
Dimension	28.3 x 28.3 x 22 (mm)
Applicable	G 1/4
Weight	77 g
Material	CU
Screw thread	G 1/4
Note	Y Adapter

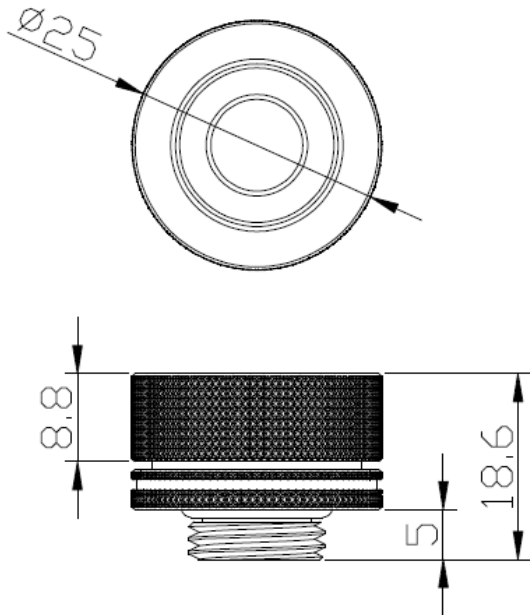
CL-W053-CU00BL-A (Black)

CL-W053-CU00SL-A (Chrome)



Thermaltake Liquid Cooling Pacific Fitting Series

•Dimension



•Specification

P/N	CL-W092-CA00BL-A (Black) CL-W092-CA00SL-A (Chrome)
P/N	Pacific G14 PETG Tube 16mm OD Compression
Dimension	∅ 25 x 18.6 (H) (mm)
Applicable	OD : 16 mm (5/8")
Weight	22 g
Material	CU
Screw thread	G 1/4
Note	Connector To PETG Tube

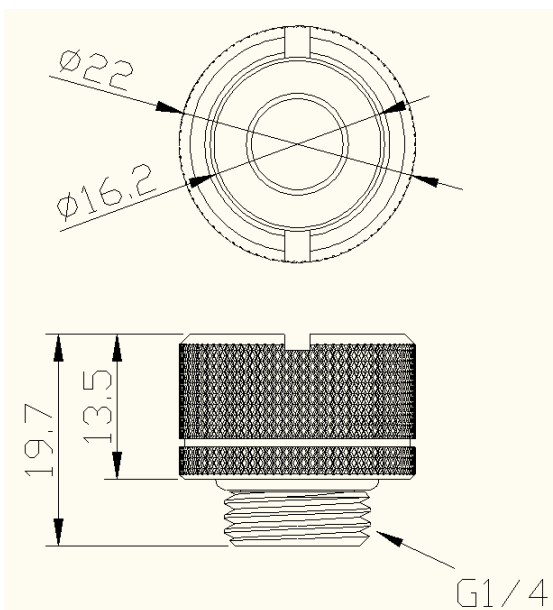
CL-W092-CA00BL-A (Black)

CL-W092-CA00SL-A (Chrome)



Thermaltake Liquid Cooling Pacific Fitting Series

•Dimension



•Specification

P/N	CL-W064-CU16BL-A (Black) CL-W064-CU16SL-A (Chrome)
P/N	Pacific G14 PETG Tube 16mm OD Adapter
Dimension	φ 22 x 19.7 (H) (mm)
Applicable	OD : 16 mm (5/8")
Weight	22 g
Material	CU
Screw thread	G 1/4
Note	Connector To PETG Tube

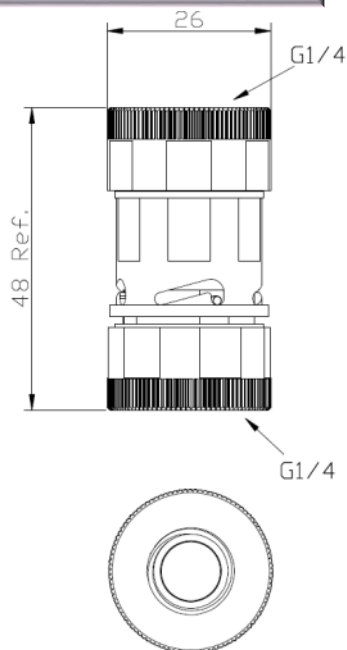
CL-W064-CU16BL-A (Black)

CL-W064-CU16SL-A (Chrome)



Thermaltake Liquid Cooling Pacific Fitting Series

•Dimension



•Specification

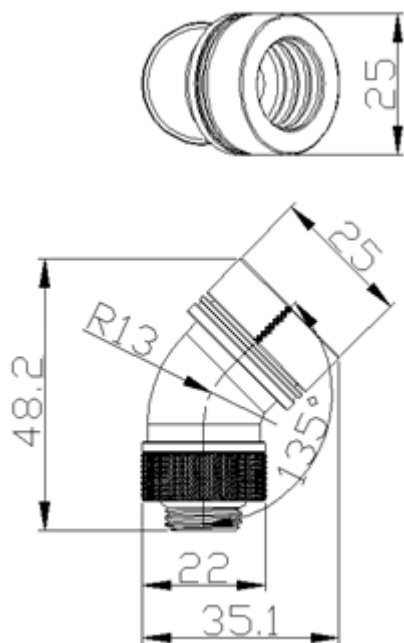
P/N	CL-W029-CU00SL-A (Chrome)
P/N	Pacific QC1
Dimension	φ 26 x 48 (H) (mm)
Applicable	G 1/4
Weight	187 g
Material	CU
Screw thread	G 1/4
Note	Quick Connector

CL-W029-CU00SL-A (Chrome)



Thermaltake Liquid Cooling Pacific Fitting Series

•Dimension



•Specification

P/N	CL-W096-CA00BL-A (Black) CL-W096-CA00SL-A (Chrome)
P/N	Pacific G1/4 PETG Tube 45-Degree compression 16mm OD
Dimension	48.2 x 35.1 x 25 (H) (mm)
Applicable	OD : 16 mm (5/8")
Weight	22 g
Material	CU
Screw thread	G 1/4
Note	PETG Tube to G1/4

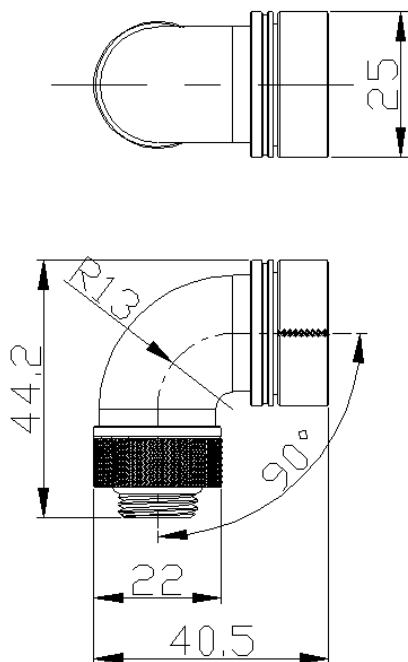
CL-W096-CA00BL-A (Black)

CL-W096-CA00SL-A (Chrome)



Thermaltake Liquid Cooling Pacific Fitting Series

•Dimension



•Specification

P/N	CL-W097-CA00BL-A (Black) CL-W097-CA00SL-A (Chrome)
P/N	Pacific G1/4 PETG Tube 90-Degree compression 16mm OD
Dimension	44.2 x 40.5 x 25 (H) (mm)
Applicable	OD : 16 mm (5/8")
Weight	22 g
Material	CU
Screw thread	G 1/4
Note	PETG Tube to G1/4

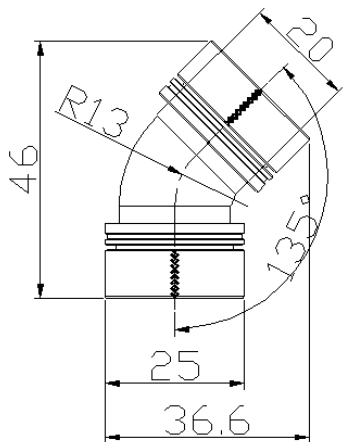
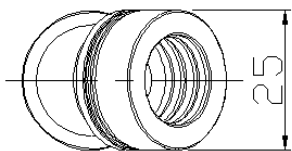
CL-W097-CA00BL-A (Black)

CL-W097-CA00SL-A (Chrome)



Thermaltake Liquid Cooling Pacific Fitting Series

•Dimension



•Specification

P/N	CL-W098-CA00BL-A (Black) CL-W098-CA00SL-A (Chrome)
P/N	Pacific PETG Tube 45-Degree dual compression 16mm OD
Dimension	46 x 36.6 x 25 (H) (mm)
Applicable	OD : 16 mm (5/8")
Weight	22 g
Material	CU
Note	PETG Tube To PETG Tube

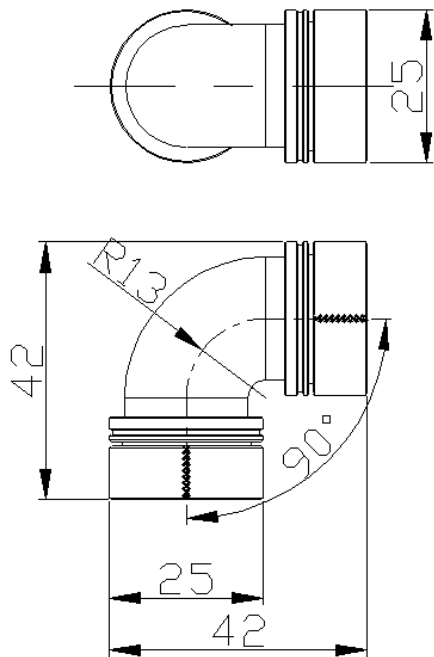
CL-W098-CA00BL-A (Black)

CL-W098-CA00SL-A (Chrome)



Thermaltake Liquid Cooling Pacific Fitting Series

•Dimension



•Specification

P/N	CL-W099-CA00BL-A (Black) CL-W099-CA00SL-A (Chrome)
P/N	Pacific PETG Tube 90-Degree dual compression 16mm OD
Dimension	42 x 42 x 25 (H) (mm)
Applicable	OD : 16 mm (5/8")
Weight	22 g
Material	CU
Note	PETG Tube To PETG Tube

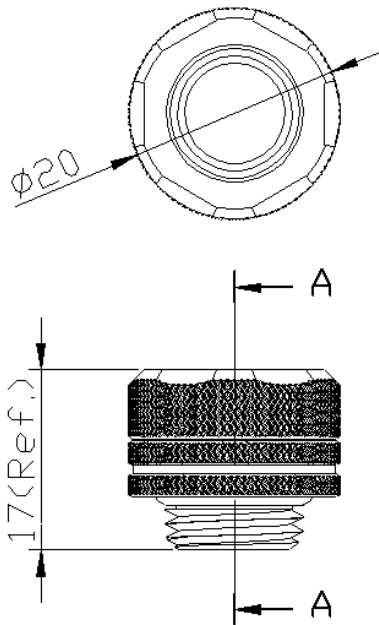
CL-W099-CA00BL-A (Black)

CL-W099-CA00SL-A (Chrome)



Thermaltake Liquid Cooling PETG Fitting Series

•Dimension



•Specification

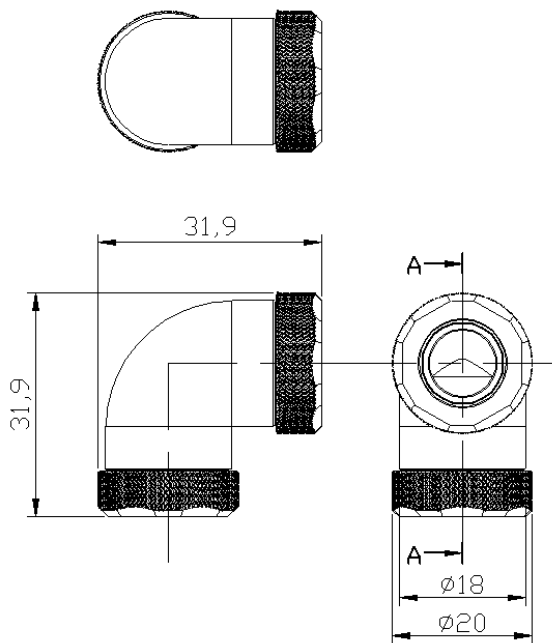
P/N	CL-W143-CU00BL-A (Black)
P/N	Pacific G1/4 PETG Tube 12mm OD Compression - Black
Dimension	D20 x 17 (H) (mm)
Applicable	OD : 12 mm
Weight	21 g
Material	CU
Screw thread	G 1/4
Note	PETG Tube to G1/4

CL-W143-CU00BL-A (Black)



Thermaltake Liquid Cooling PETG Fitting Series

•Dimension



•Specification

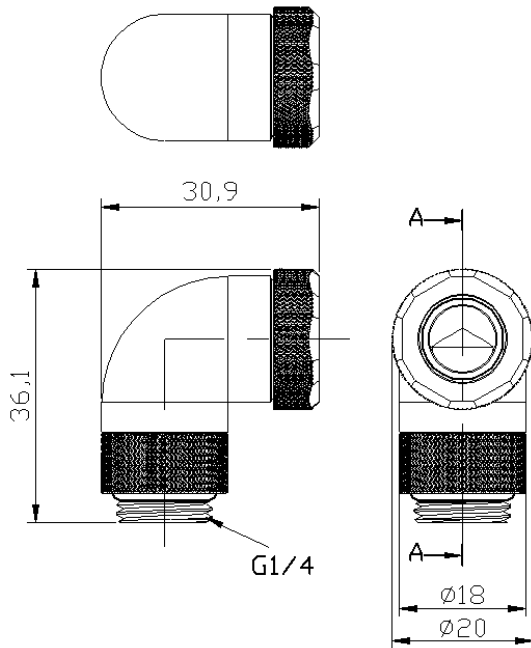
P/N	CL-W145-CU00BL-A (Black)
P/N	Pacific PETG Tube 90-Degree dual compression 12mm OD
Dimension	20 x 31.9 x 31.9 (H) (mm)
Applicable	OD : 12 mm
Weight	54 g
Material	CU
Note	PETG Tube To PETG Tube

CL-W146-CU00BL-A (Black)



Thermaltake Liquid Cooling PETG Fitting Series

•Dimension



•Specification

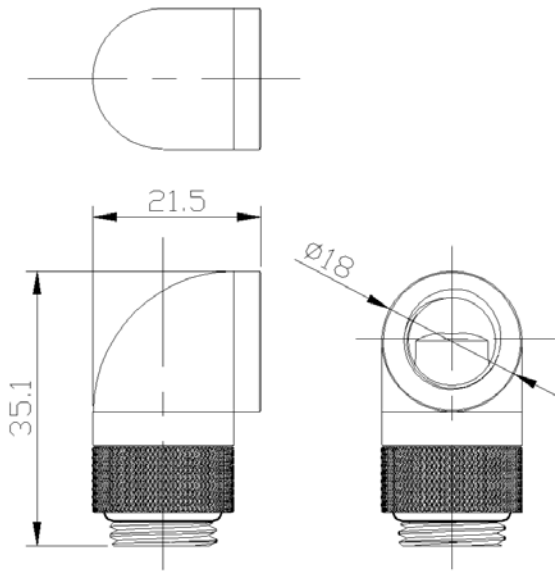
P/N	CL-W147-CU00BL-A (Black)
P/N	Pacific G1/4 PETG Tube 90-Degree compression 12mm OD
Dimension	20 x 30.9 x 36.1 (H) (mm)
Applicable	OD : 12 mm
Weight	58 g
Material	CU
Screw thread	G 1/4
Note	PETG Tube to G1/4

CL-W147-CU00BL-A (Black)



Thermaltake Liquid Cooling PETG Fitting Series

•Dimension



•Specification

P/N	CL-W148-CU00BL-A (Black)
P/N	Pacific G1/4 Male to Female 90-Degree Extender
Dimension	20 x 21.5 x 35.1 (H) (mm)
Applicable	OD : 12 mm
Weight	44 g
Material	CU
Screw thread	G 1/4
Note	G1/4 to G1/4

CL-W148-CU00BL-A (Black)

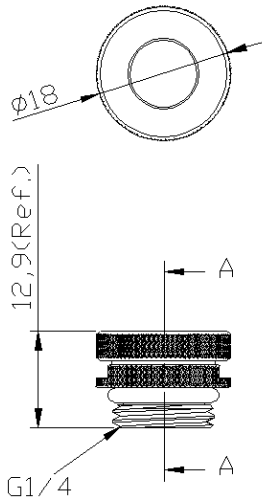


Thermaltake Liquid Cooling Pacific Fitting Series

•Features

- Designed to use on top of the reservoir
- PTFE(Teflon) film used as the surface film
- Release excess air / pressure from the system
- Compatible with G1/4 Thread

•Dimension



•Specification

P/N	CL-W086-CU00BL-A (Black) CL-W086-CU00SL-A (Chrome)
P/N	Pacific Pressure Equalizer Plug
Dimension	φ 18 x 12.9 (H) (mm)
Applicable	G1/4"
Weight	12 g
Material	CU
Screw thread	G 1/4

CL-W086-CU00BL-A (Black)

CL-W086-CU00SL-A (Chrome)



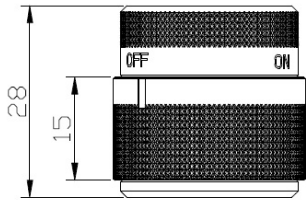
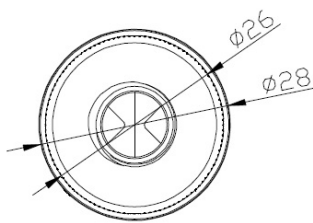
Thermaltake Liquid Cooling PETG Fitting Series

•Features

- Easy to Operate by turning on/off
- Easy to change coolant
- Advanced Ceramics comes with dust-free and leak-free design
- Compatible with G1/4 Thread



•Dimension



•Specification

P/N	CL-W087-CU00BL-A (Black)
P/N	Pacific Drain Valve - Balck
Dimension	φ 28 x 28 (H) (mm)
Applicable	G1/4"
Weight	96 g
Material	CU
Screw thread	G1/4"

•Detailed Features



ON

OFF



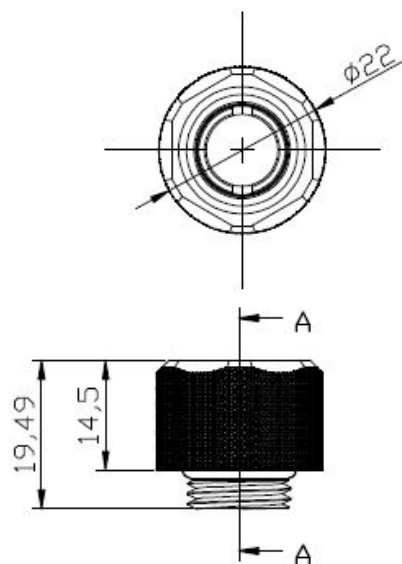
Advanced Ceramics comes with dust-free and leak-free design

Thermaltake Liquid Cooling PETG Fitting Series

•Feature

- Designed to connect PETG tube
- Triple O-ring leak-free design
- Patented design to build up easily
- Compatible with G1/4 Thread

•Dimension



•Specification

P/N	CL-W170-CU00BL-A (12mm)
P/N	Pacific M-Pro G1/4 PETG 12mm OD Compression
Dimension	D22 x 19.5 mm
Applicable	OD : 12 mm
Weight	28.5 g
Material	CU
Screw thread	G 1/4
Note	PETG Tube to G1/4

CL-W170-CU00BL-A (12mm)

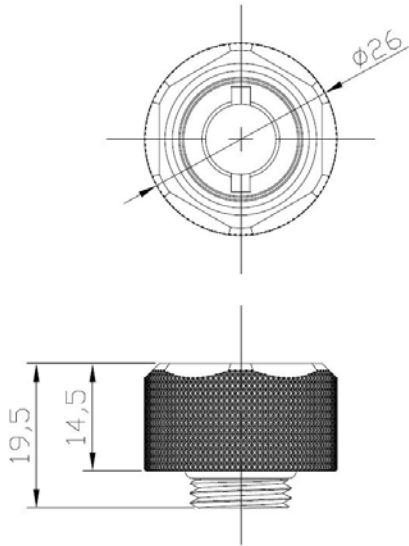


Thermaltake Liquid Cooling PETG Fitting Series

•Feature

- Designed to connect PETG tube
- Triple O-ring leak-free design
- Patented design to build up easily
- Compatible with G1/4 Thread

•Dimension



•Specification

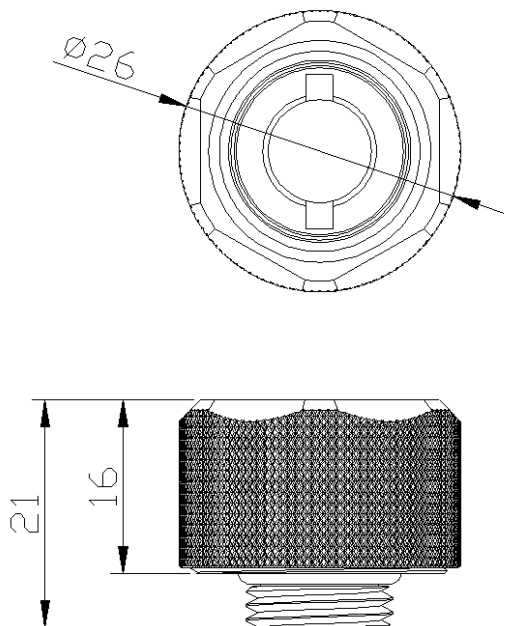
P/N	CL-W171-CU00BL-A (16mm)
P/N	Pacific M-Pro G1/4 PETG 16mm OD Compression
Dimension	D26 x 19.5 mm
Applicable	OD : 16 mm
Weight	37.5 g
Material	CU
Screw thread	G 1/4
Note	PETG Tube to G1/4

CL-W171-CU00BL-A (16mm)



Pacific C-Pro G1/4 PETG 16mm OD Compression

•Dimension



•Specification

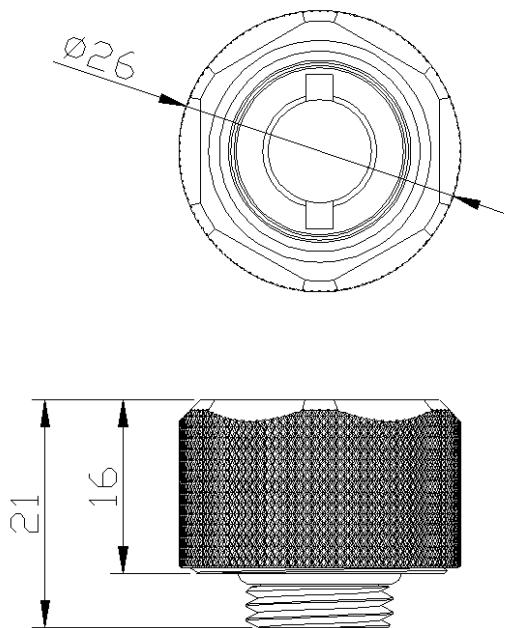
P/N	CL-W209-CU00RE-A
P/N	Pacific C-Pro G1/4 PETG 16mm OD Compression - Red
Dimension	D26 x 21 (H) (mm)
Applicable	OD : 16 mm
Weight	30 g
Material	CU + AL
Screw thread	G 1/4
Note	PETG Tube to G1/4

CL-W209-CU00RE-A



Pacific C-Pro G1/4 PETG 16mm OD Compression

•Dimension



•Specification

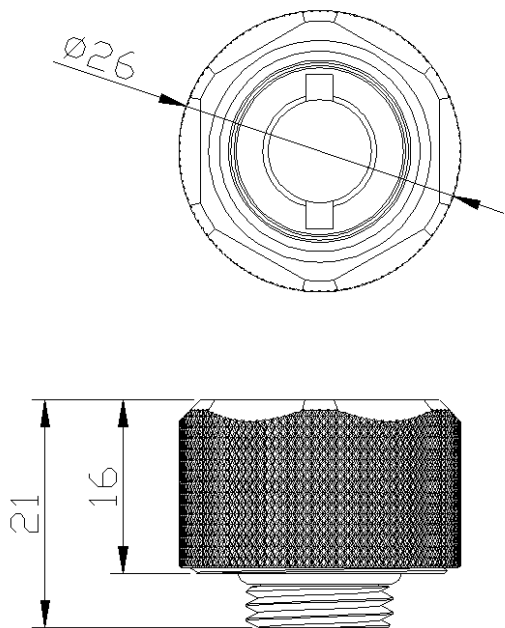
P/N	CL-W210-CU00BU-A
P/N	Pacific C-Pro G1/4 PETG 16mm OD 6 Pack - Blue
Dimension	D26 x 21 (H) (mm)
Applicable	OD : 16 mm
Weight	30 g
Material	CU + AL
Screw thread	G 1/4
Note	PETG Tube to G1/4

CL-W210-CU00BU-A



Pacific C-Pro G1/4 PETG 16mm OD Compression

•Dimension



•Specification

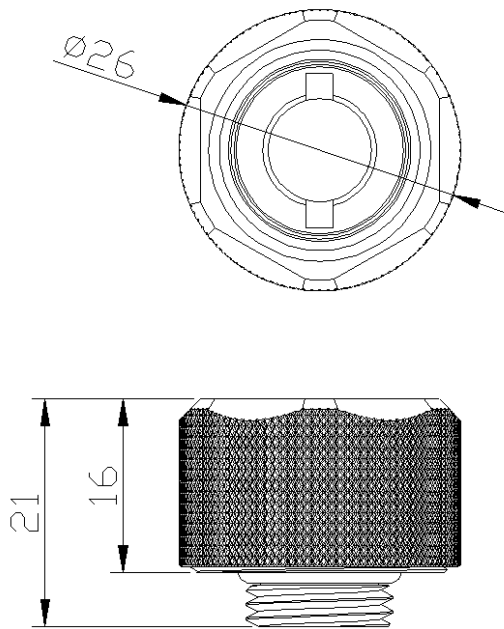
P/N	CL-W211-CU00WT-A
P/N	Pacific C-Pro G1/4 PETG 16mm OD Compression - White
Dimension	D26 x 21 (H) (mm)
Applicable	OD : 16 mm
Weight	40 g
Material	CU
Screw thread	G 1/4
Note	PETG Tube to G1/4

CL-W211-CU00WT-A



Pacific C-Pro G1/4 PETG 16mm OD Compression

•Dimension



•Specification

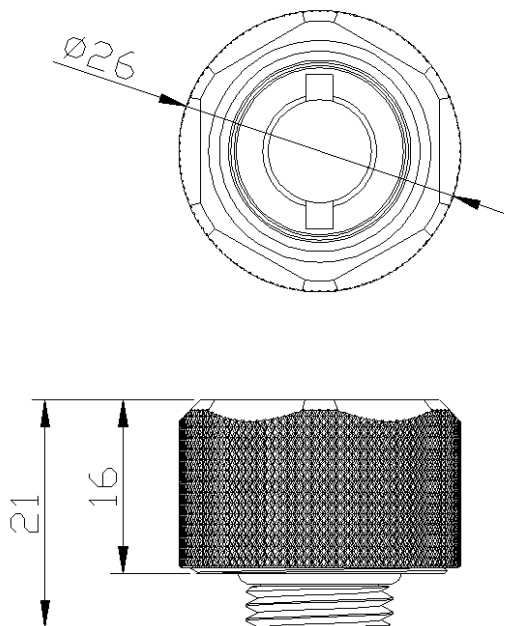
P/N	CL-W212-CU00GR-A
P/N	Pacific C-Pro G1/4 PETG 16mm OD Compression - Green
Dimension	D26 x 21 (H) (mm)
Applicable	OD : 16 mm
Weight	30 g
Material	CU + AL
Screw thread	G 1/4
Note	PETG Tube to G1/4

CL-W212-CU00GR-A



Pacific C-Pro G1/4 PETG 16mm OD Compression

•Dimension



•Specification

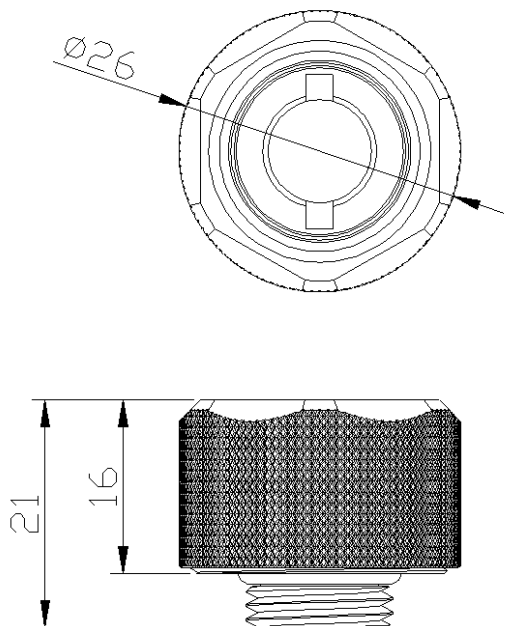
P/N	CL-W213-CU00SL-A
P/N	Pacific C-Pro G1/4 PETG 16mm OD Compression - Chrome
Dimension	D26 x 21 (H) (mm)
Applicable	OD : 16 mm
Weight	40 g
Material	CU
Screw thread	G 1/4
Note	PETG Tube to G1/4

CL-W213-CU00SL-A



Pacific C-Pro G1/4 PETG 16mm OD Compression

•Dimension



•Specification

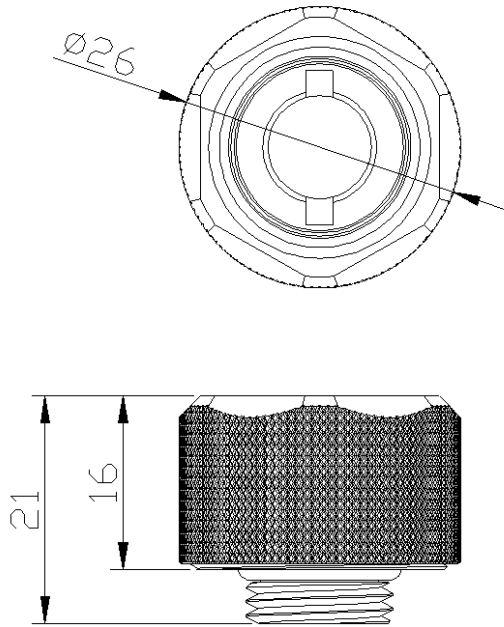
P/N	CL-W214-CU00BL-A
P/N	Pacific C-Pro G1/4 PETG 16mm OD Compression - Black
Dimension	D26 x 21 (H) (mm)
Applicable	OD : 16 mm
Weight	30 g
Material	CU + AL
Screw thread	G 1/4
Note	PETG Tube to G1/4

CL-W214-CU00BL-A



Pacific C-Pro G1/4 PETG 16mm OD Compression

•Dimension



•Specification

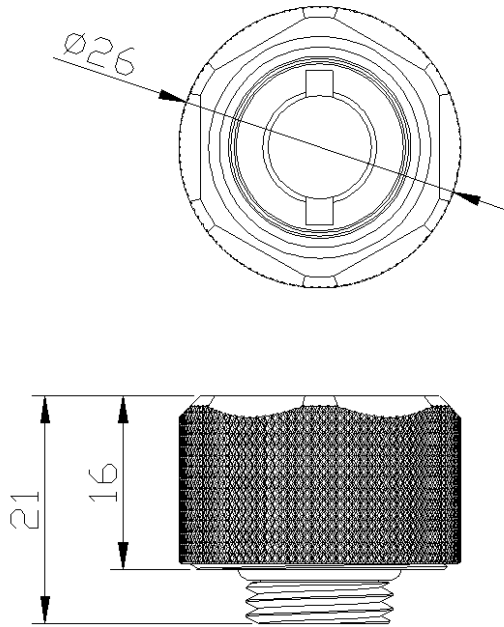
P/N	CL-W265-CU00GD-A
P/N	Pacific C-Pro G1/4 PETG 16mm OD Compression - Gold
Dimension	D26 x 21 (H) (mm)
Applicable	OD : 16 mm
Weight	30 g
Material	CU + AL
Screw thread	G 1/4
Note	PETG Tube to G1/4

CL-W265-CU00GD-A



Pacific C-Pro G1/4 PETG 16mm OD Compression

•Dimension



•Specification

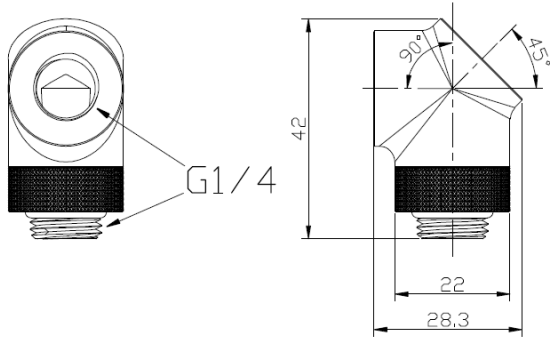
P/N	CL-W266-CU00RG-A
P/N	Pacific C-Pro G1/4 PETG 16mm OD Compression - Rose Gold
Dimension	D26 x 21 (H) (mm)
Applicable	OD : 16 mm
Weight	30 g
Material	CU + AL
Screw thread	G 1/4
Note	PETG Tube to G1/4

CL-W266-CU00RG-A



Thermaltake Liquid Cooling Pacific Fitting Series

•Dimension



•Specification

P/N	CL-W052-CU00BL-A (Black) CL-W052-CU00SL-A (Chrome)
P/N	Pacific G1/4 90 Degree Adapter
Dimension	42 x 28.3 x 22 (mm)
Applicable	G 1/4
Weight	100 g
Material	CU
Screw thread	G 1/4
Note	90 Degree Adapter

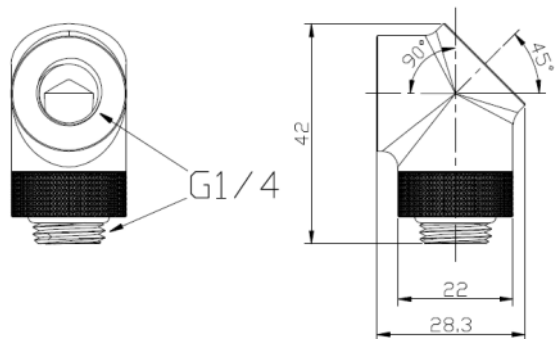
CL-W052-CU00BL-A (Black)

CL-W052-CU00SL-A (Chrome)



Thermaltake Liquid Cooling Pacific Fitting Series

•Dimension



•Specification

P/N	CL-W052-CU00RE-A (Red x 2 Pack) CL-W052-CU00BU-A (Blue x 2 Pack)
P/N	Pacific G1/4 90 Degree Adapter
Dimension	42 x 28.3 x 22 (mm)
Applicable	G 1/4
Weight	200 g (2 Pack)
Material	CU
Screw thread	G 1/4
Note	90度轉角度接頭

CL-W052-CU00RE-A (Red)

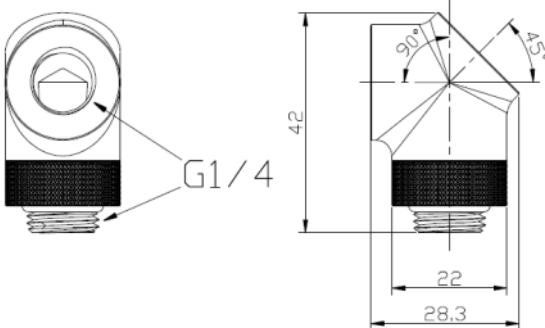


CL-W052-CU00BU-A (Blue)



Thermaltake Liquid Cooling Pacific Fitting Series

•Dimension



•Specification

P/N	CL-W052-CU00WT-A (White x 2 Pack) CL-W052-CU00GR-A (Green x 2 Pack)
P/N	Pacific G1/4 90 Degree Adapter
Dimension	42 x 28.3 x 22 (mm)
Applicable	G 1/4
Weight	200 g (2 Pack)
Material	CU
Screw thread	G 1/4
Note	90度轉角度接頭

CL-W268-CU00WT-A (White)

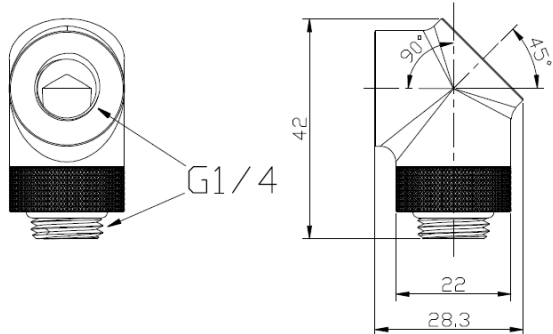


CL-W269-CU00GR-A (Green)



Thermaltake Liquid Cooling Pacific Fitting Series

•Dimension



•Specification

P/N	CL-W268-CU00GD-A (Gold) CL-W269-CU00RG-A (Ross Gold)
P/N	Pacific G1/4 90 Degree Adapter
Dimension	42 x 28.3 x 22 (mm)
Applicable	G 1/4
Weight	100 g
Material	CU
Screw thread	G 1/4
Note	90 Degree Adapter

CL-W268-CU00GD-A (Gold)

CL-W269-CU00RG-A (Ross Gold)

